

# **XS** Cable Management Systems

Perforated Cable Trays & Raceways

- Patented Roll Formed Profile
- Fast and Easy Installation
- Flexible Layout Feasibility
- Customized Solution
- Off the Shelf Availability
- Choice of Accessories
- ***Xtra Strength***
- ***Xtra Stability***
- ***Xtensive Solution***
- ***X Stock***



# A Perfect Solution

An Engineered Product with  
Quality, Consistency and  
Cost Effectiveness.

Standardized products equipped with  
robust technology and emphasizing on  
the safety aspects without compromising  
on load bearing capacity.

# ICONS

## Cable Tray Finishes

<b>A</b>	Alu Zinc & Magnesium	<b>G</b>	Pre-Galvanized
<b>4</b>	AISI 304 Stainless Steel	<b>H</b>	Hot-Dip Galvanized
<b>6</b>	AISI 316 Stainless Steel	<b>P</b>	Powder Coated

## Items

## Dimensions

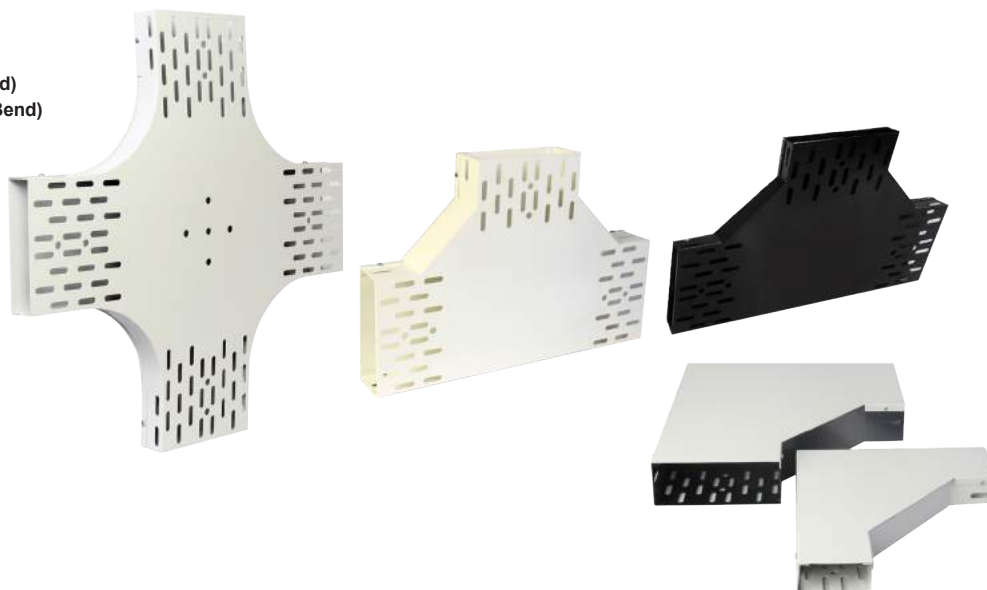
A (Not applicable)  
P (Perforation)  
N (Non-Perforation)  
C (Conventional Cover)  
Z (XS Tray Cover)  
t (Thickness in mm)  
l (Length in mm)

Widths (W)		Height (H)	
50 mm	05	50 mm	5
75 mm	07	75 mm	7
100 mm	10	100 mm	1
150 mm	15		
200 mm	20		
300 mm	30		
400 mm	40		
450 mm	45		
500 mm	50		
600 mm	60		
750 mm	75		
900 mm	90		

\* All Dimensions are in millimeters (mm)

## Accessories

TB (Tee Bend)  
H3 (30° Horizontal Bend)  
H4 (45° Horizontal Bend)  
H9 (90° Horizontal Bend)  
V3 (30° Vertical Bend)  
V4 (45° Vertical Bend)  
V9 (90° Vertical Bend)  
CB (Cross Bend)  
RL (Reducer Left)  
RR (Reducer Right)  
RE (Reducer Equal)  
VU (Vertical Up Bend)  
VD (Vertical Down Bend)  
ET (Extension Tee)



# CABLE TRAY SPECIFICATIONS .....

## Cable Tray Design & Manufacture

---

Niedax's Cable Tray systems are designed and manufactured according to National (Indian Standard, CPRI) and International Standards (Such as NEMA VE1 and IEC 61537).

### Material

**Pre-Galvanised Steel:**

Trays shall meet the minimum yield and tensile strength of the ASTM standards (ASTM A653) with G 90 coating thickness.

**Hot-Dip Galvanised Steel:**

Trays are Hot-Dip Galvanised in accordance with ASTM A123.

**Stainless Steel:**

Trays are constructed of AISI type 304 or type 316 stainless steel.

**Powder Coated:**

Trays are pre-treated and powder coated as per IEC Standards.

**Alu Zinc + Magnesium:**

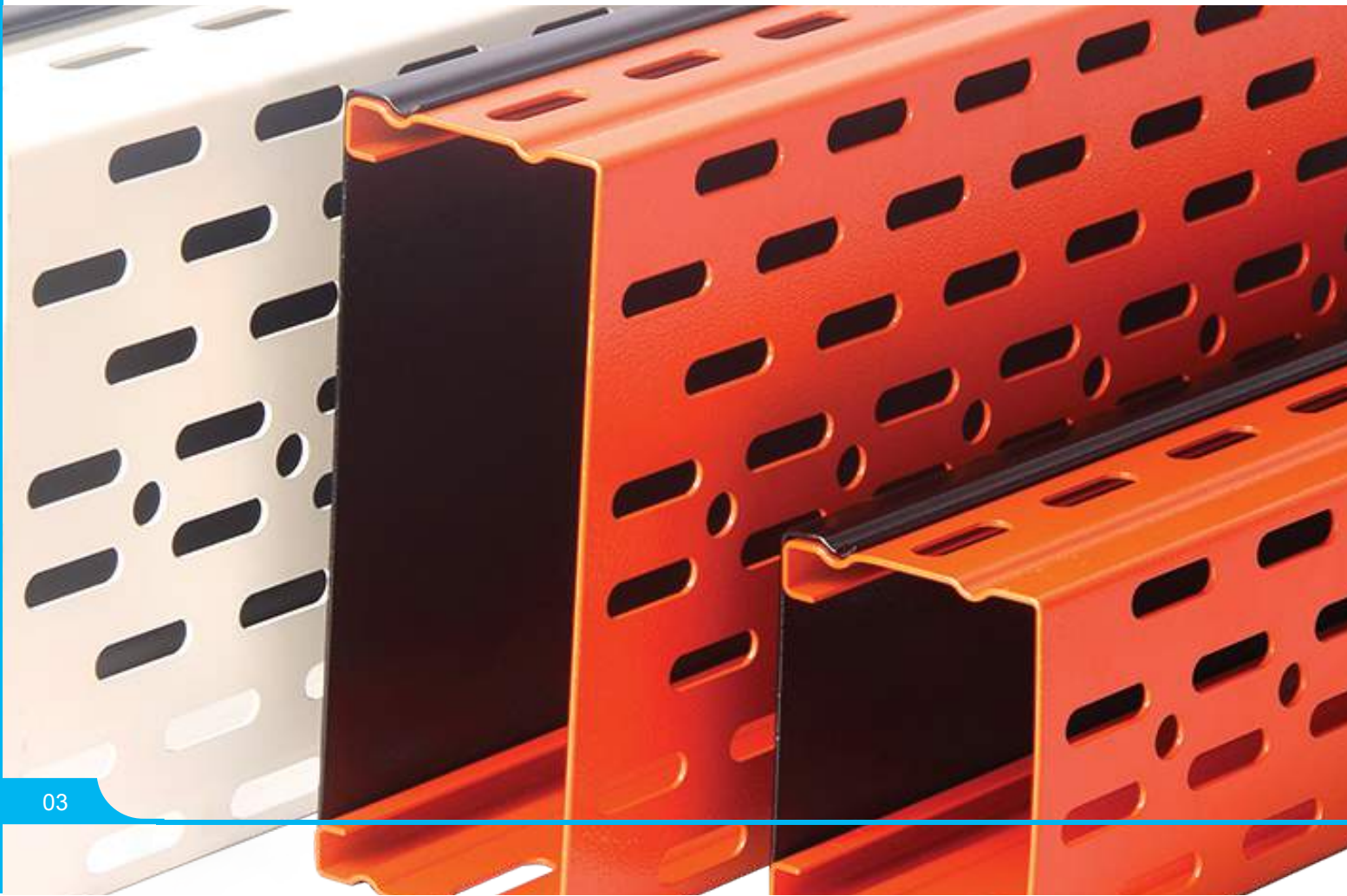
Trays with Zinc-Aluminium-Magnesium coating are ideal for multiple engineering applications where good corrosion resistance in very aggressive environments is required. Due to its unique composition it offers a self healing property on cut edges.

**HRCA (Hot Rolled and Close Annealed):**

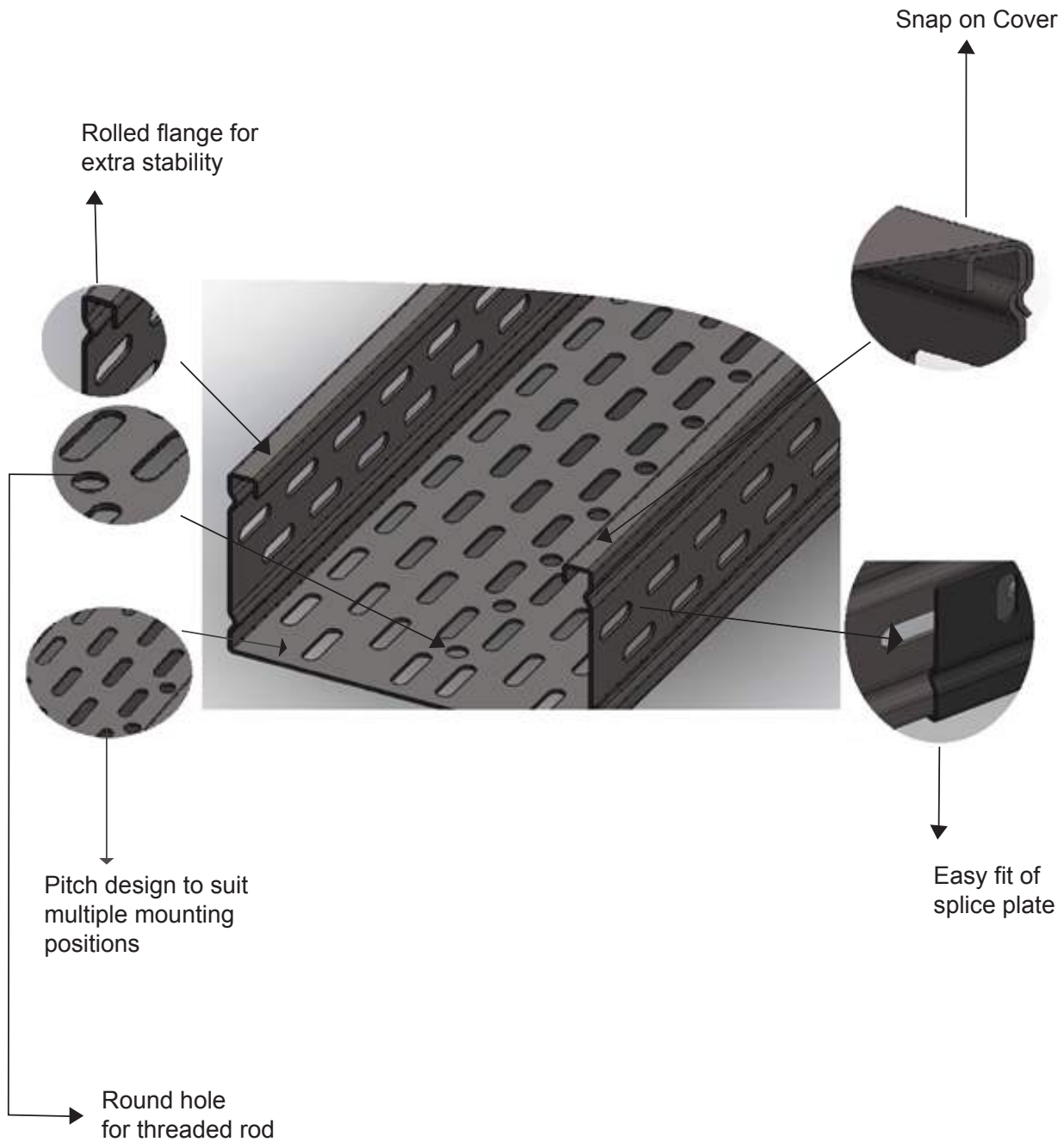
Trays are made of hot roll steel which shall meet IS2062 standard.

**CRCA (Cold Rolled Close Annealed):**

Trays are made of cold roll steel which shall meet IS513 standard.



Profile Design Cable Tray Features

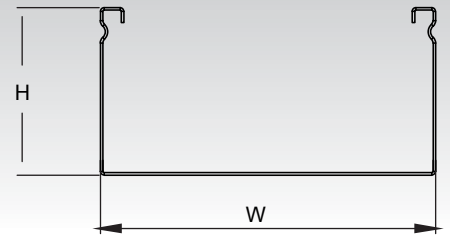


# CABLE TRAY DIMENSIONS



## Profile Design Cable Tray

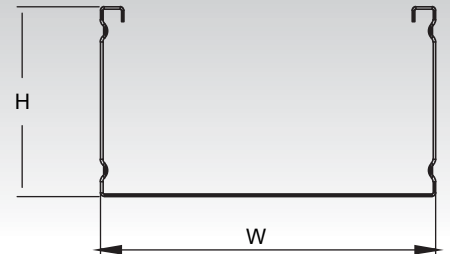
Finish	Tray Model No.	Cover Model No.	Width (W) mm	Height (H) mm
G	XP055tIG	ZN050tIG	50	50
G	XP105tIG	ZN100tIG	100	50
G	XP155tIG	ZN150tIG	150	50
G	XP205tIG	ZN200tIG	200	50
G	XP305tIG	ZN300tIG	300	50
G	XP455tIG	ZN450tIG	450	50
G	XP605tIG	ZN600tIG	600	50
H	XP055tIH	ZN050tIH	50	50
H	XP105tIH	ZN100tIH	100	50
H	XP155tIH	ZN150tIH	150	50
H	XP205tIH	ZN200tIH	200	50
H	XP305tIH	ZN300tIH	300	50
H	XP455tIH	ZN450tIH	450	50
H	XP605tIH	ZN600tIH	600	50
A	Alu Zinc & Magnesium	These finishes are available upon request.		
4	AISI 304			
6	AISI 316			
P	Powder Coated			



Front View

## Profile Design Cable Tray

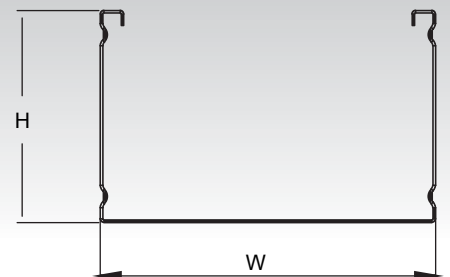
Finish	Tray Model No.	Cover Model No.	Width (W) mm	Height (H) mm
G	XP077tIG	ZN050tIG	50	75
G	XP107tIG	ZN100tIG	100	75
G	XP157tIG	ZN150tIG	150	75
G	XP207tIG	ZN200tIG	200	75
G	XP307tIG	ZN300tIG	300	75
G	XP457tIG	ZN450tIG	450	75
G	XP607tIG	ZN600tIG	600	75
H	XP077tIH	ZN050tIH	50	75
H	XP107tIH	ZN100tIH	100	75
H	XP157tIH	ZN150tIH	150	75
H	XP207tIH	ZN200tIH	200	75
H	XP307tIH	ZN300tIH	300	75
H	XP457tIH	ZN450tIH	450	75
H	XP607tIH	ZN600tIH	600	75
A	Alu Zinc & Magnesium	These finishes are available upon request.		
4	AISI 304			
6	AISI 316			
P	Powder Coated			



Front View

## Profile Design Cable Tray

Finish	Tray Model No.	Cover Model No.	Width (W) mm	Height (H) mm
G	XP051tIG	ZN050tIG	50	100
G	XP101tIG	ZN100tIG	100	100
G	XP151tIG	ZN150tIG	150	100
G	XP201tIG	ZN200tIG	200	100
G	XP301tIG	ZN300tIG	300	100
G	XP451tIG	ZN450tIG	450	100
G	XP601tIG	ZN600tIG	600	100
H	XP051tIH	ZN050tIH	50	100
H	XP101tIH	ZN100tIH	100	100
H	XP151tIH	ZN150tIH	150	100
H	XP201tIH	ZN200tIH	200	100
H	XP301tIH	ZN300tIH	300	100
H	XP451tIH	ZN450tIH	450	100
H	XP601tIH	ZN600tIH	600	100
A	Alu Zinc & Magnesium	These finishes are available upon request.		
4	AISI 304			
6	AISI 316			
P	Powder Coated			

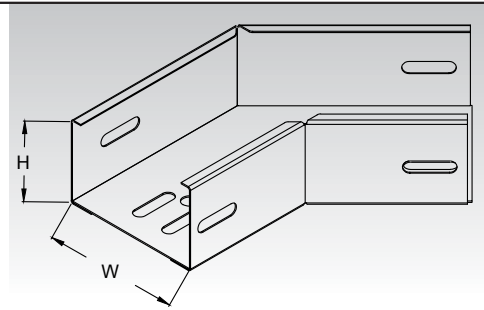


Front View

## Cable Tray's Accessories Range

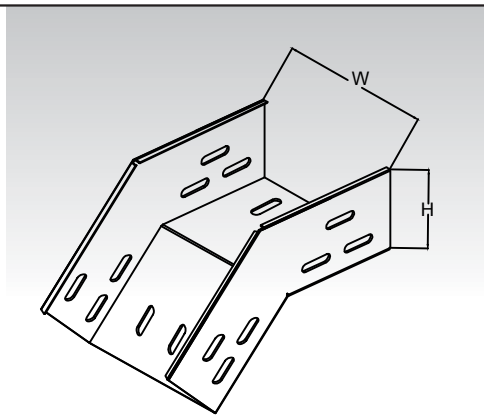
### 45° Horizontal Bend

Finish	Tray Model No.	Cover Model No.	Width (W) mm	Height (H) mm
G	TP055t0GH4	CN050t0GH4	50	50
G	TP105t0GH4	CN100t0GH4	100	50
G	TP155t0GH4	CN150t0GH4	150	50
G	TP205t0GH4	CN200t0GH4	200	50
G	TP305t0GH4	CN300t0GH4	300	50
G	TP455t0GH4	CN450t0GH4	450	50
G	TP605t0GH4	CN600t0GH4	600	50
H	TN055t0HH4	CN050t0HH4	50	50
H	TP105t0HH4	CN100t0HH4	100	50
H	TP155t0HH4	CN150t0HH4	150	50
H	TP205t0HH4	CN200t0HH4	200	50
H	TP305t0HH4	CN300t0HH4	300	50
H	TP455t0HH4	CN450t0HH4	450	50
H	TP605t0HH4	CN600t0HH4	600	50
A	Alu Zinc & Magnesium	These finishes are available upon request.		
4	AISI 304			
6	AISI 316			
P	Powder Coated			



### 45° Vertical Bend

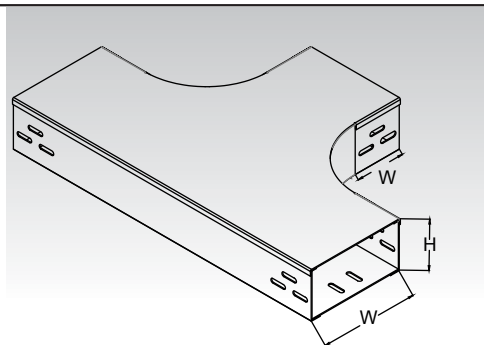
Finish	Tray Model No.	Cover Model No.	Width (W) mm	Height (H) mm
G	TP055t0GV4	CN050t0GV4	50	50
G	TP105t0GV4	CN100t0GV4	100	50
G	TP155t0GV4	CN150t0GV4	150	50
G	TP205t0GV4	CN200t0GV4	200	50
G	TP305t0GV4	CN300t0GV4	300	50
G	TP455t0GV4	CN450t0GV4	450	50
G	TP605t0GV4	CN600t0GV4	600	50
H	TP055t0HV4	CN050t0HV4	50	50
H	TP105t0HV4	CN100t0HV4	100	50
H	TP155t0HV4	CN150t0HV4	150	50
H	TP205t0HV4	CN200t0HV4	200	50
H	TP305t0HV4	CN300t0HV4	300	50
H	TP455t0HV4	CN450t0HV4	450	50
H	TP605t0HV4	CN600t0HV4	600	50
A	Alu Zinc & Magnesium	These finishes are available upon request.		
4	AISI 304			
6	AISI 316			
P	Powder Coated			



These accessories are available in 30° and 90° options.

### TB (Tee Bend)

Finish	Tray Model No.	Cover Model No.	Width (W) mm	Height (H) mm
G	TP055t0GTB	CN050t0GTB	50	50
G	TP105t0GTB	CN100t0GTB	100	50
G	TP155t0GTB	CN150t0GTB	150	50
G	TP205t0GTB	CN200t0GTB	200	50
G	TP305t0GTB	CN300t0GTB	300	50
G	TP455t0GTB	CN450t0GTB	450	50
G	TP605t0GTB	CN600t0GTB	600	50
H	TP055t0HTB	CN050t0HTB	50	50
H	TP105t0HTB	CN100t0HTB	100	50
H	TP155t0HTB	CN150t0HTB	150	50
H	TP205t0HTB	CN200t0HTB	200	50
H	TP305t0HTB	CN300t0HTB	300	50
H	TP455t0HTB	CN450t0HTB	450	50
H	TP605t0HTB	CN600t0HTB	600	50
A	Alu Zinc & Magnesium	These finishes are available upon request.		
4	AISI 304			
6	AISI 316			
P	Powder Coated			



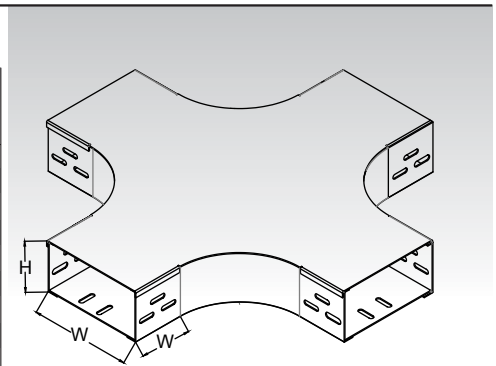
These accessories are also available in different heights.

# CABLE TRAY DIMENSIONS

## Cable Tray's Accessories Range

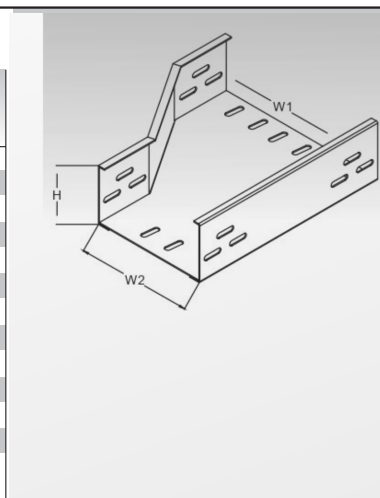
### CB (Cross Bend)

Finish	Tray Model No.	Cover Model No.	Width (W) mm	Height (H) mm
G	TN055t0GCB	CN050t0GCB	50	50
G	TP105t0GCB	CN100t0GCB	100	50
G	TP155t0GCB	CN150t0GCB	150	50
G	TP205t0GCB	CN200t0GCB	200	50
G	TP305t0GCB	CN300t0GCB	300	50
G	TP455t0GCB	CN450t0GCB	450	50
G	TP605t0GCB	CN600t0GCB	600	50
H	TN055t0HCB	CN050t0HCB	50	50
H	TP105t0HCB	CN100t0HCB	100	50
H	TP155t0HCB	CN150t0HCB	150	50
H	TP205t0HCB	CN200t0HCB	200	50
H	TP305t0HCB	CN300t0HCB	300	50
H	TP455t0HCB	CN450t0HCB	450	50
H	TP605t0HCB	CN600t0HCB	600	50
A	Alu Zinc & Magnesium	These finishes are available upon request.		
4	AISI 304			
6	AISI 316			
P	Powder Coated			



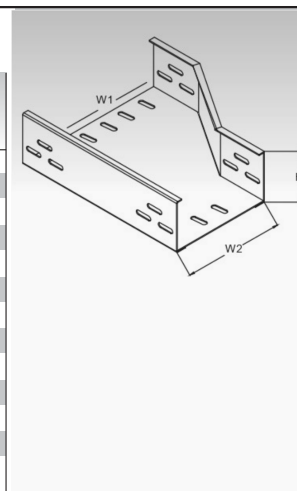
### RL (Reducer Left)

Finish	Tray Model No.	Cover Model No.	Width (W1) mm	Width (W2) mm	Height (H) mm
G	TP105t0GRL05	CN100t0GRL05	100	50	50
G	TP155t0GRL10	CN150t0GRL10	150	100	50
G	TP205t0GRL15	CN200t0GRL15	200	150	50
G	TP305t0GRL20	CN300t0GRL20	300	200	50
G	TP455t0GRL30	CN450t0GRL30	450	300	50
G	TP605t0GRL45	CN600t0GRL45	600	450	50
H	TP105t0HRL05	CN100t0HRL05	100	50	50
H	TP155t0HRL10	CN150t0HRL10	150	100	50
H	TP205t0HRL15	CN200t0HRL15	200	150	50
H	TP305t0HRL20	CN300t0HRL20	300	200	50
H	TP455t0HRL30	CN450t0HRL30	450	300	50
H	TP605t0HRL45	CN600t0HRL45	600	450	50
A	Alu Zinc & Magnesium	These finishes are available upon request.			
4	AISI 304				
6	AISI 316				
P	Powder Coated				



### RR (Reducer Right)

Finish	Tray Model No.	Cover Model No.	Width (W1) mm	Width (W2) mm	Height (H) mm
G	TP105t0GRR05	CN100t0GRR05	100	50	50
G	TP155t0GRR10	CN150t0GRR10	150	100	50
G	TP205t0GRR15	CN200t0GRR15	200	150	50
G	TP305t0GRR20	CN300t0GRR20	300	200	50
G	TP455t0GRR30	CN450t0GRR30	450	300	50
G	TP605t0GRR45	CN600t0GRR45	600	450	50
H	TP105t0HRR05	CN100t0HRR05	100	50	50
H	TP155t0HRR10	CN150t0HRR10	150	100	50
H	TP205t0HRR15	CN200t0HRR15	200	150	50
H	TP305t0HRR20	CN300t0HRR20	300	200	50
H	TP455t0HRR30	CN450t0HRR30	450	300	50
H	TP605t0HRR45	CN600t0HRR45	600	450	50
A	Alu Zinc & Magnesium	These finishes are available upon request.			
4	AISI 304				
6	AISI 316				
P	Powder Coated				

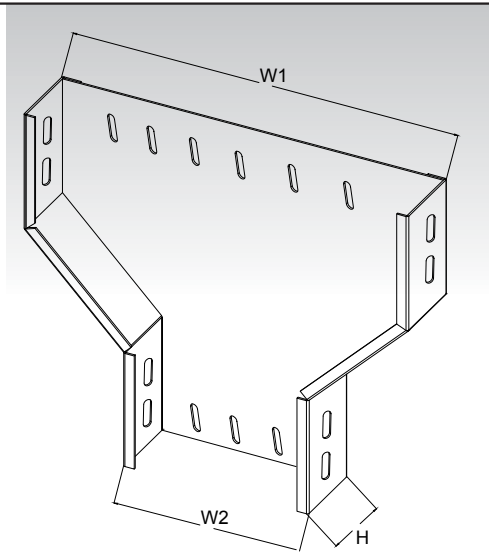




## Cable Tray's Accessories Range

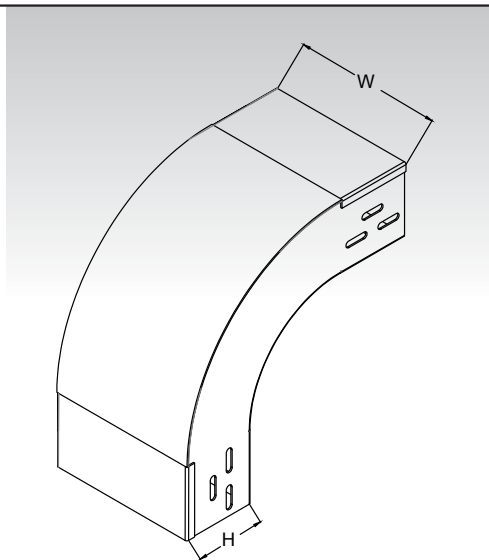
### RE (Reducer Equal)

Finish	Tray Model No.	Cover Model No.	Width (W1) mm	Width (W2) mm	Height (H) mm
G	TP105t0GRE05	CN100t0GRE05	100	50	50
G	TP155t0GRE10	CN150t0GRE10	150	100	50
G	TP205t0GRE15	CN200t0GRE15	200	150	50
G	TP305t0GRE20	CN300t0GRE20	300	200	50
G	TP455t0GRE30	CN450t0GRE30	450	300	50
G	TP605t0GRE45	CN600t0GRE45	600	450	50
H	TP105t0HRE05	CN100t0HRE05	100	50	50
H	TP155t0HRE10	CN150t0HRE10	150	100	50
H	TP205t0HRE15	CN200t0HRE15	200	150	50
H	TP305t0HRE20	CN300t0HRE20	300	200	50
H	TP455t0HRE30	CN450t0HRE30	450	300	50
H	TP605t0HRE45	CN600t0HRE45	600	450	50
A	Alu Zinc & Magnesium	These finishes are available upon request.			
4	AISI 304				
6	AISI 316				
P	Powder Coated				



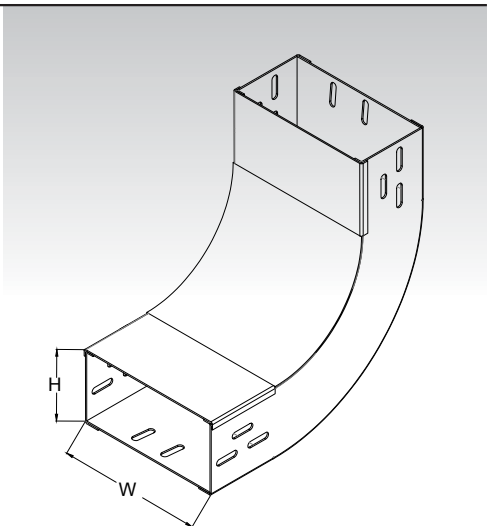
### VU (Vertical Up Bend)

Finish	Tray Model No.	Cover Model No.	Width (W) mm	Height (H) mm
G	TP055t0GVU	CN050t0GVU	50	50
G	TP105t0GVU	CN100t0GVU	100	50
G	TP155t0GVU	CN150t0GVU	150	50
G	TP205t0GVU	CN200t0GVU	200	50
G	TP305t0GVU	CN300t0GVU	300	50
G	TP455t0GVU	CN450t0GVU	450	50
G	TP605t0GVU	CN600t0GVU	600	50
H	TP055t0HVU	CN050t0HVU	50	50
H	TP105t0HVU	CN100t0HVU	100	50
H	TP155t0HVU	CN150t0HVU	150	50
H	TP205t0HVU	CN200t0HVU	200	50
H	TP305t0HVU	CN300t0HVU	300	50
H	TP455t0HVU	CN450t0HVU	450	50
H	TP605t0HVU	CN600t0HVU	600	50
A	Alu Zinc & Magnesium	These finishes are available upon request.		
4	AISI 304			
6	AISI 316			
P	Powder Coated			



### VD (Vertical Down Bend)

Finish	Tray Model No.	Cover Model No.	Width (W) mm	Height (H) mm
G	TP055t0GVD	CN050t0GVD	50	50
G	TP105t0GVD	CN100t0GVD	100	50
G	TP155t0GVD	CN150t0GVD	150	50
G	TP205t0GVD	CN200t0GVD	200	50
G	TP305t0GVD	CN300t0GVD	300	50
G	TP455t0GVD	CN450t0GVD	450	50
G	TP605t0GVD	CN600t0GVD	600	50
H	TP055t0HVD	CN050t0HVD	50	50
H	TP105t0HVD	CN100t0HVD	100	50
H	TP155t0HVD	CN150t0HVD	150	50
H	TP205t0HVD	CN200t0HVD	200	50
H	TP305t0HVD	CN300t0HVD	300	50
H	TP455t0HVD	CN450t0HVD	450	50
H	TP605t0HVD	CN600t0HVD	600	50
A	Alu Zinc & Magnesium	These finishes are available upon request.		
4	AISI 304			
6	AISI 316			
P	Powder Coated			



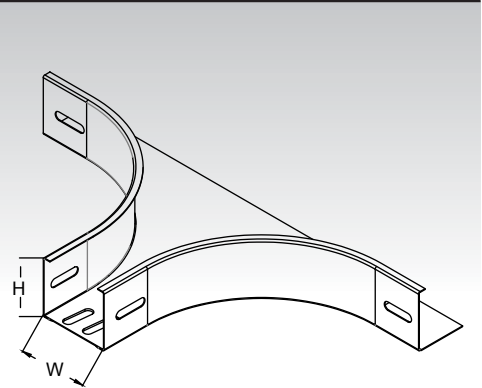
# CABLE TRAY DIMENSIONS



## Cable Tray's Accessories Range

### ET (Extension Tee)

Finish	Tray Model No.	Cover Model No.	Width (W) mm	Height (H) mm
G	TP055t0GET	CN050t0GET	50	50
G	TP105t0GET	CN100t0GET	100	50
G	TP155t0GET	CN150t0GET	150	50
G	TP205t0GET	CN200t0GET	200	50
G	TP305t0GET	CN300t0GET	300	50
G	TP455t0GET	CN450t0GET	450	50
G	TP605t0GET	CN600t0GET	600	50
H	TP055t0HET	CN050t0HET	50	50
H	TP105t0HET	CN100t0HET	100	50
H	TP155t0HET	CN150t0HET	150	50
H	TP205t0HET	CN200t0HET	200	50
H	TP305t0HET	CN300t0HET	300	50
H	TP455t0HET	CN450t0HET	450	50
H	TP605t0HET	CN600t0HET	600	50
A	Alu Zinc & Magnesium	These finishes are available upon request.		
4	AISI 304			
6	AISI 316			
P	Powder Coated			



Product height customization options are available depending upon request.

Standard thickness:

- 1.6 (0.8, 1.0, 1.2, 1.8 & 2.0 available on request).
- Upto 1.6 mm thickness is available for SS and Pre-Galvanized materials.
- Upto 2 mm thickness is available for Hot-Dip Galvanized materials.

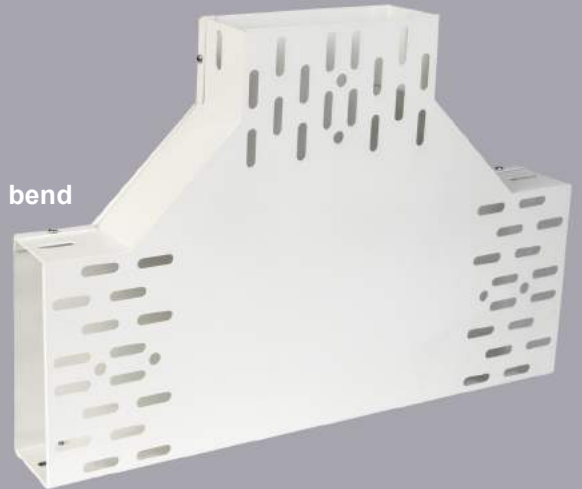
Standard Length upto 3 mtrs is available.



Cantilever



Splice Plate



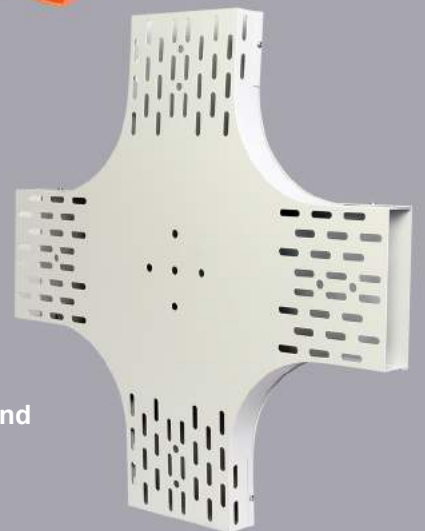
Tee bend



Cable Trays



Raceway



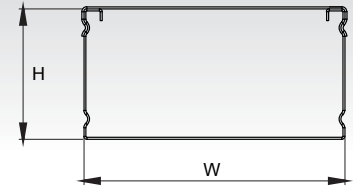
Cross Bend

# RACEWAY DIMENSION



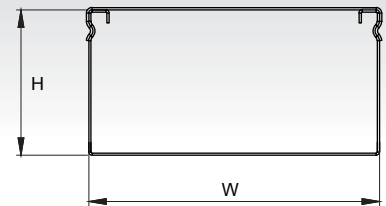
## Profile Design Raceways

Finish	Tray Model No.	Cover Model No.	Width (W) mm	Height (H) mm
G	RN055tIG	ZN050tIG	50	50
G	RN105tIG	ZN100tIG	100	50
G	RN155tIG	ZN150tIG	150	50
G	RN205tIG	ZN200tIG	200	50
G	RN305tIG	ZN300tIG	300	50
G	RN455tIG	ZN450tIG	450	50
G	RN605tIG	ZN600tIG	600	50
H	RN055tIH	ZN050tIH	50	50
H	RN105tIH	ZN100tIH	100	50
H	RN155tIH	ZN150tIH	150	50
H	RN205tIH	ZN200tIH	200	50
H	RN305tIH	ZN300tIH	300	50
H	RN455tIH	ZN450tIH	450	50
H	RN605tIH	ZN600tIH	600	50
A	Alu Zinc & Magnesium	These finishes are available upon request.		
4	AISI 304			
6	AISI 316			
P	Powder Coated			



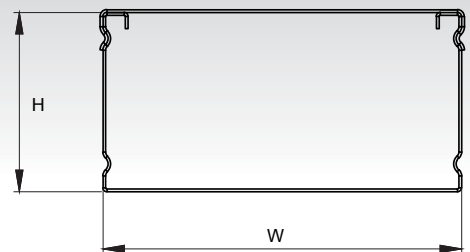
## Profile Design Raceways

Finish	Tray Model No.	Cover Model No.	Width (W) mm	Height (H) mm
G	RN055tIG	ZN050tIG	50	75
G	RN105tIG	ZN100tIG	100	75
G	RN155tIG	ZN150tIG	150	75
G	RN205tIG	ZN200tIG	200	75
G	RN305tIG	ZN300tIG	300	75
G	RN455tIG	ZN450tIG	450	75
G	RN605tIG	ZN600tIG	600	75
H	RN055tIH	ZN050tIH	50	75
H	RN105tIH	ZN100tIH	100	75
H	RN155tIH	ZN150tIH	150	75
H	RN205tIH	ZN200tIH	200	75
H	RN305tIH	ZN300tIH	300	75
H	RN455tIH	ZN450tIH	450	75
H	RN605tIH	ZN600tIH	600	75
A	Alu Zinc & Magnesium	These finishes are available upon request.		
4	AISI 304			
6	AISI 316			
P	Powder Coated			



## Profile Design Raceways

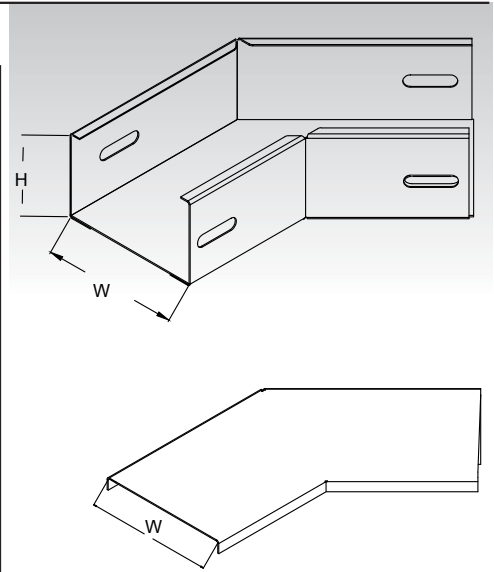
Finish	Tray Model No.	Cover Model No.	Width (W) mm	Height (H) mm
G	RN055tIG	ZN050tIG	50	100
G	RN105tIG	ZN100tIG	100	100
G	RN155tIG	ZN150tIG	150	100
G	RN205tIG	ZN200tIG	200	100
G	RN305tIG	ZN300tIG	300	100
G	RN455tIG	ZN450tIG	450	100
G	RN605tIG	ZN600tIG	600	100
H	RN055tIH	ZN050tIH	50	100
H	RN105tIH	ZN100tIH	100	100
H	RN155tIH	ZN150tIH	150	100
H	RN205tIH	ZN200tIH	200	100
H	RN305tIH	ZN300tIH	300	100
H	RN455tIH	ZN450tIH	450	100
H	RN605tIH	ZN600tIH	600	100
A	Alu Zinc & Magnesium	These finishes are available upon request.		
4	AISI 304			
6	AISI 316			
P	Powder Coated			



## Raceways Accessories Range

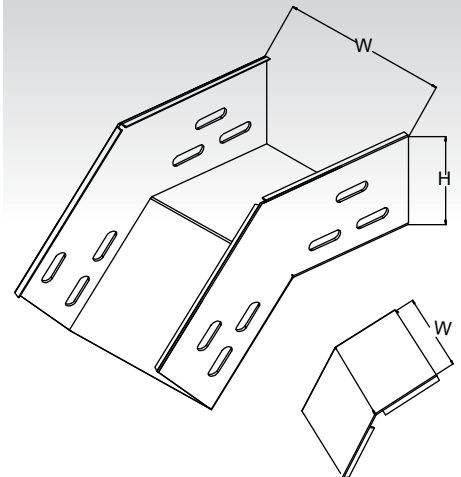
### 45° Horizontal Bend

Finish	Tray Model No.	Cover Model No.	Width (W) mm	Height (H) mm
G	TN055t0GH4	CN050t0GH4	50	50
G	TN105t0GH4	CN100t0GH4	100	50
G	TN155t0GH4	CN150t0GH4	150	50
G	TN205t0GH4	CN200t0GH4	200	50
G	TN305t0GH4	CN300t0GH4	300	50
G	TN455t0GH4	CN450t0GH4	450	50
G	TN605t0GH4	CN600t0GH4	600	50
H	TN055t0HH4	CN050t0HH4	50	50
H	TN105t0HH4	CN100t0HH4	100	50
H	TN155t0HH4	CN150t0HH4	150	50
H	TN205t0HH4	CN200t0HH4	200	50
H	TN305t0HH4	CN300t0HH4	300	50
H	TN455t0HH4	CN450t0HH4	450	50
H	TN605t0HH4	CN600t0HH4	600	50
A	Alu Zinc & Magnesium	These finishes are available upon request.		
4	AISI 304			
6	AISI 316			
P	Powder Coated			



### 45° Vertical Bend

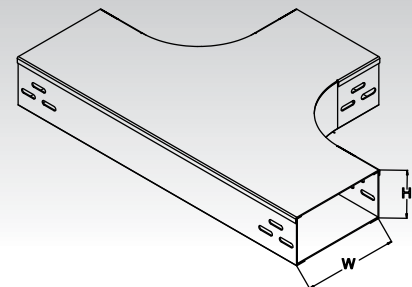
Finish	Tray Model No.	Cover Model No.	Width (W) mm	Height (H) mm
G	TN055t0GV4	CN050t0GV4	50	50
G	TN105t0GV4	CN100t0GV4	100	50
G	TN155t0GV4	CN150t0GV4	150	50
G	TN205t0GV4	CN200t0GV4	200	50
G	TN305t0GV4	CN300t0GV4	300	50
G	TN455t0GV4	CN450t0GV4	450	50
G	TN605t0GV4	CN600t0GV4	600	50
H	TN055t0HV4	CN050t0HV4	50	50
H	TN105t0HV4	CN100t0HV4	100	50
H	TN155t0HV4	CN150t0HV4	150	50
H	TN205t0HV4	CN200t0HV4	200	50
H	TN305t0HV4	CN300t0HV4	300	50
H	TN455t0HV4	CN450t0HV4	450	50
H	TN605t0HV4	CN600t0HV4	600	50
A	Alu Zinc & Magnesium	These finishes are available upon request.		
4	AISI 304			
6	AISI 316			
P	Powder Coated			



These accessories are available in 30° and 90° options.

### TB (Tee Bend)

Finish	Tray Model No.	Cover Model No.	Width (W) mm	Height (H) mm
G	TN055t0GTB	CN050t0GTB	50	50
G	TN105t0GTB	CN100t0GTB	100	50
G	TN155t0GTB	CN150t0GTB	150	50
G	TN205t0GTB	CN200t0GTB	200	50
G	TN305t0GTB	CN300t0GTB	300	50
G	TN455t0GTB	CN450t0GTB	450	50
G	TN605t0GTB	CN600t0GTB	600	50
H	TN055t0HTB	CN050t0HTB	50	50
H	TN105t0HTB	CN100t0HTB	100	50
H	TN155t0HTB	CN150t0HTB	150	50
H	TN205t0HTB	CN200t0HTB	200	50
H	TN305t0HTB	CN300t0HTB	300	50
H	TN455t0HTB	CN450t0HTB	450	50
H	TN605t0HTB	CN600t0HTB	600	50
A	Alu Zinc & Magnesium	These finishes are available upon request.		
4	AISI 304			
6	AISI 316			
P	Powder Coated			



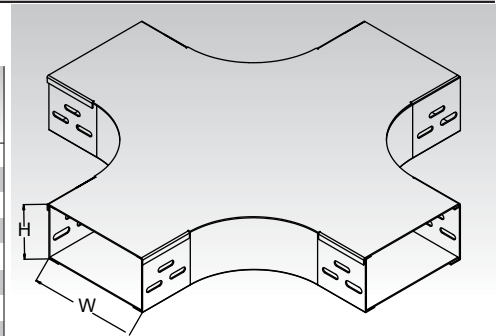
These accessories are also available in different heights.

# RACEWAY DIMENSION

## Raceways Accessories Range

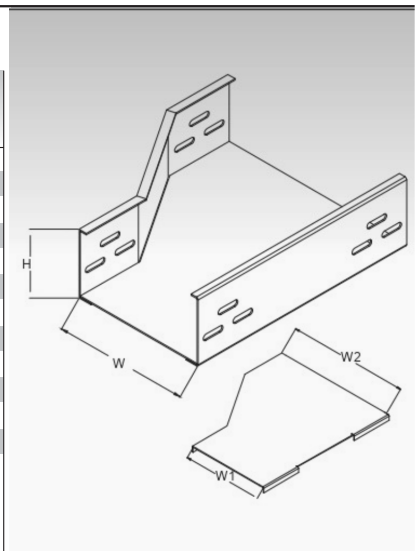
### CB (Cross Bend)

Finish	Tray Model No.	Cover Model No.	Width (W) mm	Height (H) mm
G	TN055t0GCB	CN050t0GCB	50	50
G	TN105t0GCB	CN100t0GCB	100	50
G	TN155t0GCB	CN150t0GCB	150	50
G	TN205t0GCB	CN200t0GCB	200	50
G	TN305t0GCB	CN300t0GCB	300	50
G	TN455t0GCB	CN450t0GCB	450	50
G	TN605t0GCB	CN600t0GCB	600	50
H	TN055t0HCB	CN050t0HCB	50	50
H	TN105t0HCB	CN100t0HCB	100	50
H	TN155t0HCB	CN150t0HCB	150	50
H	TN205t0HCB	CN200t0HCB	200	50
H	TN305t0HCB	CN300t0HCB	300	50
H	TN455t0HCB	CN450t0HCB	450	50
H	TN605t0HCB	CN600t0HCB	600	50
A	Alu Zinc & Magnesium	These finishes are available upon request.		
4	AISI 304			
6	AISI 316			
P	Powder Coated			



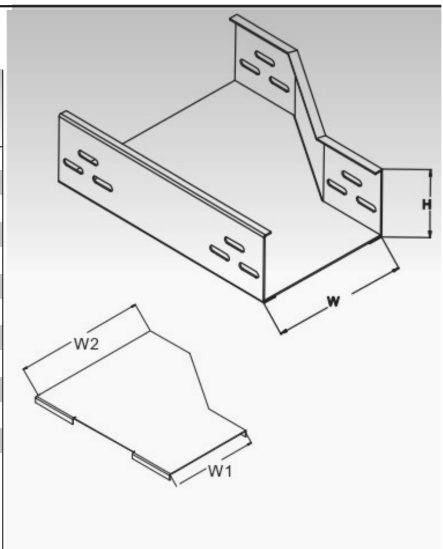
### RL (Reducer Left)

Finish	Tray Model No.	Cover Model No.	Width (W1) mm	Width (W2) mm	Height (H) mm
G	TN105t0GRL05	CN100t0GRL05	100	50	50
G	TN155t0GRL10	CN150t0GRL10	150	100	50
G	TN205t0GRL15	CN200t0GRL15	200	150	50
G	TN305t0GRL20	CN300t0GRL20	300	200	50
G	TN455t0GRL30	CN450t0GRL30	450	300	50
G	TN605t0GRL45	CN600t0GRL45	600	450	50
H	TN105t0HRL05	CN100t0HRL05	100	50	50
H	TN155t0HRL10	CN150t0HRL10	150	100	50
H	TN205t0HRL15	CN200t0HRL15	200	150	50
H	TN305t0HRL20	CN300t0HRL20	300	200	50
H	TN455t0HRL30	CN450t0HRL30	450	300	50
H	TN605t0HRL45	CN600t0HRL45	600	450	50
A	Alu Zinc & Magnesium	These finishes are available upon request.			
4	AISI 304				
6	AISI 316				
P	Powder Coated				



### RR (Reducer Right)

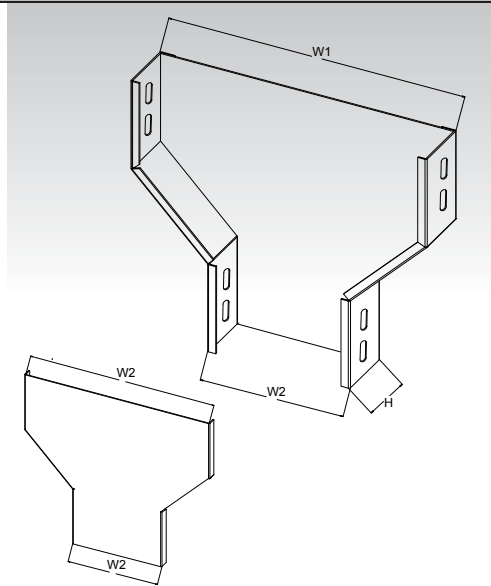
Finish	Tray Model No.	Cover Model No.	Width (W1) mm	Width (W2) mm	Height (H) mm
G	TN105t0GRR05	CN100t0GRR05	100	50	50
G	TN155t0GRR10	CN150t0GRR10	150	100	50
G	TN205t0GRR15	CN200t0GRR15	200	150	50
G	TN305t0GRR20	CN300t0GRR20	300	200	50
G	TN455t0GRR30	CN450t0GRR30	450	300	50
G	TN605t0GRR45	CN600t0GRR45	600	450	50
H	TN105t0HRR05	CN100t0HRR05	100	50	50
H	TN155t0HRR10	CN150t0HRR10	150	100	50
H	TN205t0HRR15	CN200t0HRR15	200	150	50
H	TN305t0HRR20	CN300t0HRR20	300	200	50
H	TN455t0HRR30	CN450t0HRR30	450	300	50
H	TN605t0HRR45	CN600t0HRR45	600	450	50
A	Alu Zinc & Magnesium	These finishes are available upon request.			
4	AISI 304				
6	AISI 316				
P	Powder Coated				



## Raceways Accessories Range

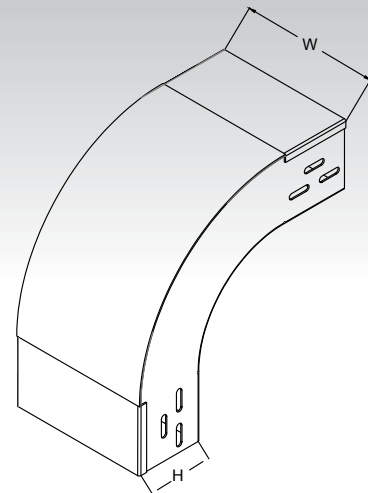
### RE (Reducer Equal)

Finish	Tray Model No.	Cover Model No.	Width (W1) mm	Width (W2) mm	Height (H) mm
G	TN105t0GRE05	CN100t0GRE05	100	50	50
G	TN155t0GRE10	CN150t0GRE10	150	100	50
G	TN205t0GRE15	CN200t0GRE15	200	150	50
G	TN305t0GRE20	CN300t0GRE20	300	200	50
G	TN455t0GRE30	CN450t0GRE30	450	300	50
G	TN605t0GRE45	CN600t0GRE45	600	450	50
H	TN105t0HRE05	CN100t0HRE05	100	50	50
H	TN155t0HRE10	CN150t0HRE10	150	100	50
H	TN205t0HRE15	CN200t0HRE15	200	150	50
H	TN305t0HRE20	CN300t0HRE20	300	200	50
H	TN455t0HRE30	CN450t0HRE30	450	300	50
H	TN605t0HRE45	CN600t0HRE45	600	450	50
A	Alu Zinc & Magnesium	These finishes are available upon request.			
4	AISI 304				
6	AISI 316				
P	Powder Coated				



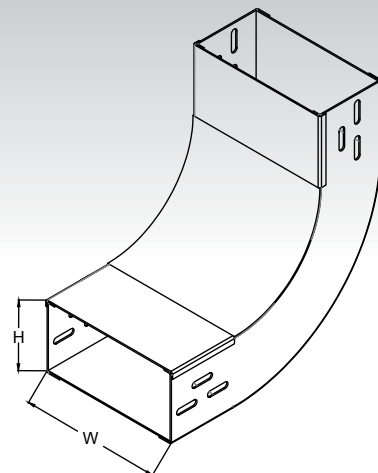
### VU (Vertical Up Bend)

Finish	Tray Model No.	Cover Model No.	Width (W) mm	Height (H) mm
G	TN055t0GVU	CN050t0GVU	50	50
G	TN105t0GVU	CN100t0GVU	100	50
G	TN155t0GVU	CN150t0GVU	150	50
G	TN205t0GVU	CN200t0GVU	200	50
G	TN305t0GVU	CN300t0GVU	300	50
G	TN455t0GVU	CN450t0GVU	450	50
G	TN605t0GVU	CN600t0GVU	600	50
H	TN055t0HVU	CN050t0HVU	50	50
H	TN105t0HVU	CN100t0HVU	100	50
H	TN155t0HVU	CN150t0HVU	150	50
H	TN205t0HVU	CN200t0HVU	200	50
H	TN305t0HVU	CN300t0HVU	300	50
H	TN455t0HVU	CN450t0HVU	450	50
H	TN605t0HVU	CN600t0HVU	600	50
A	Alu Zinc & Magnesium	These finishes are available upon request.		
4	AISI 304			
6	AISI 316			
P	Powder Coated			



### VD (Vertical Down Bend)

Finish	Tray Model No.	Cover Model No.	Width (W) mm	Height (H) mm
G	TP055t0GVD	CN050t0GVD	50	50
G	TP105t0GVD	CN100t0GVD	100	50
G	TP155t0GVD	CN150t0GVD	150	50
G	TP205t0GVD	CN200t0GVD	200	50
G	TP305t0GVD	CN300t0GVD	300	50
G	TP455t0GVD	CN450t0GVD	450	50
G	TP605t0GVD	CN600t0GVD	600	50
H	TP055t0HVD	CN050t0HVD	50	50
H	TP105t0HVD	CN100t0HVD	100	50
H	TP155t0HVD	CN150t0HVD	150	50
H	TP205t0HVD	CN200t0HVD	200	50
H	TP305t0HVD	CN300t0HVD	300	50
H	TP455t0HVD	CN450t0HVD	450	50
H	TP605t0HVD	CN600t0HVD	600	50
A	Alu Zinc & Magnesium	These finishes are available upon request.		
4	AISI 304			
6	AISI 316			
P	Powder Coated			

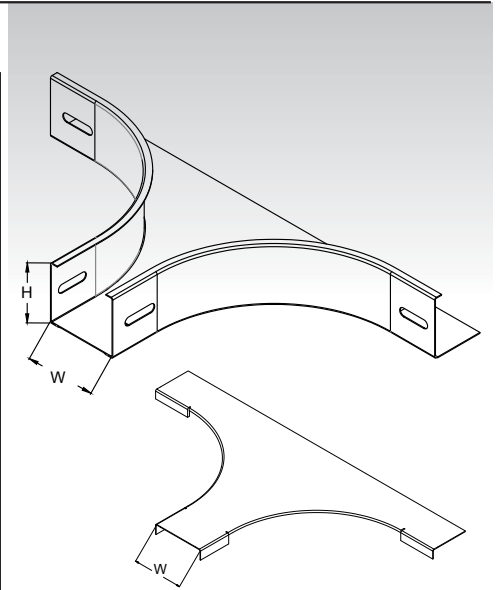


# RACEWAY DIMENSION .....

## Raceways Accessories Range

### ET (Extension Tee)

Finish	Tray Model No.	Cover Model No.	Width (W) mm	Height (H) mm
G	TP055t0GET	CN050t0GET	50	50
G	TP105t0GET	CN100t0GET	100	50
G	TP155t0GET	CN150t0GET	150	50
G	TP205t0GET	CN200t0GET	200	50
G	TP305t0GET	CN300t0GET	300	50
G	TP455t0GET	CN450t0GET	450	50
G	TP605t0GET	CN600t0GET	600	50
H	TP055t0HET	CN050t0HET	50	50
H	TP105t0HET	CN100t0HET	100	50
H	TP155t0HET	CN150t0HET	150	50
H	TP205t0HET	CN200t0HET	200	50
H	TP305t0HET	CN300t0HET	300	50
H	TP455t0HET	CN450t0HET	450	50
H	TP605t0HET	CN600t0HET	600	50
A	Alu Zinc & Magnesium	These finishes are available upon request.		
4	AISI 304			
6	AISI 316			
P	Powder Coated			



Product height customization options are available depending upon request.

### Standard thickness:

- 1.6 (0.8, 1.0, 1.2, 1.8 & 2.0 available on request).
- Upto 1.6 mm thickness is available for SS and Pre-Galvanized materials.
- Upto 2 mm thickness is available for Hot-Dip Galvanized materials.

Standard Length upto 3 mtrs is available.





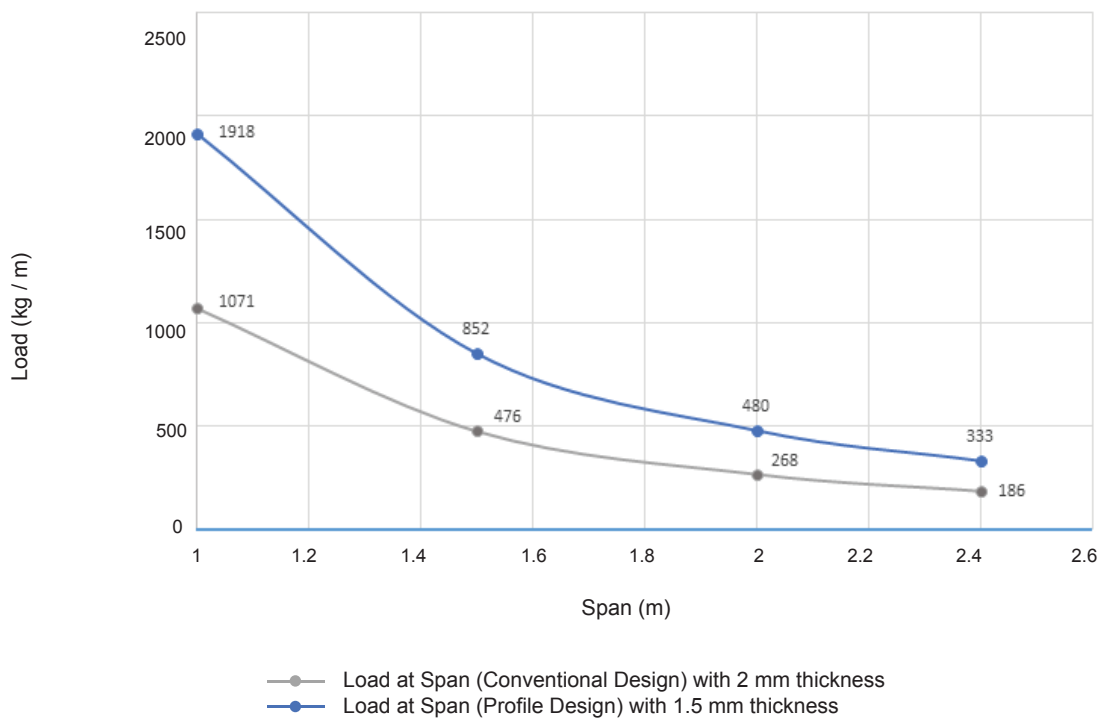
# PRODUCTS STANDARDS ..... & PERFORMANCES

IEC / EN-61537  
NEMA-VE1

## Thinner Profile Design is much Stronger than Thicker Standard Design

Test product : Perforated Cable Tray (Conventional)	Span (m)	Load at Span(Kg)	Test product : Perforated Cable Tray (Profile)	Span (m)	Load at Span(Kg)
Thickness : 2 mm	1	1071	Thickness : 1.5 mm	1	1918
Size of the product : 200 x 50 mm (W x H)	1.5	476	Size of the product : 200 x 50 mm (W x H)	1.5	852
	2	268		2	480
	2.4	186		2.4	333

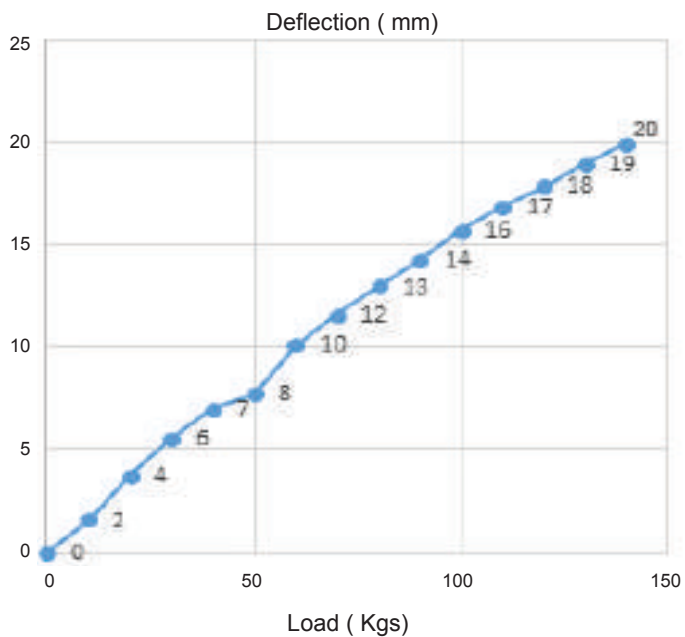
**Load Bearing Capacity Comparison between  
Conventional & Profile Design  
Allowable Load Graph**



## Load Bearing Test Report of Profile Design Cable Tray

Test product	Perforated Cable Tray (Profile Type)
Size of the product	200 x 100 x 2500 mm
MOC	GI
Thickness	1.0 mm
Span	2400 mm
Bearing	75 mm
Reference Standard	NEMA VE 1

Sl. No.	Applied Load (Kg)	Deflection (mm)	Observation
1	0	0	No Permanent Deformation Observed
2	10	2	
3	20	4	
4	30	6	
5	40	7	
6	50	8	
7	60	10	
8	70	12	
9	80	13	
10	90	14	
11	100	16	
12	110	17	
13	120	18	
14	130	19	
15	140	19	
16	Breaking Load	330 Kgs	Permanent Deformation Observed



# GLOBAL PRESENCE

18 PRODUCTION SITES WORLDWIDE

34 DISTRIBUTION AGENCIES IN 30 COUNTRIES WORLDWIDE



## EUROPE

Niedax Germany, Linz/Rhein  
3 Production plants  
4 Regional Warehouses

Niedax France, Paris  
3 Production plants

JV Femi - CZ  
Steel Line CMS, Italy  
4 Production plants

Niedax Netherlands,  
Nijmegen  
Gouda  
1 Production plant

Niedax Hungary,  
Budapest  
1 Production plant

Niedax Austria,  
Vienna

Niedax Switzerland,  
Visp, Zürich

Niedax Belgium,  
Gent

Niedax Spain,  
Madrid

Niedax Poland,  
Tarnowkie Góry

Niedax Czech Republic, Praha

Niedax Ireland, Tralee  
1 Production plant (Excel Electric, Dublin)

BVS-Niedax Norway, Oslo

Niedax Bulgaria,  
Sofia

Niedax Romania,  
Bukarest

Niedax Slovakia,  
Bratislava

Niedax Russia,  
Moscow

## NO. & SO. AMERICA

Niedax North America  
Columbus/Ohio

Niedax Mexico,  
Puebla

Niedax MOPA Brazil,  
Sao Paulo  
1 Production Plant

Niedax Chile,  
Santiago

Niedax Peru, Lima

Niedax Canada, Québec

## ASIA & AUSTRALIA

Niedax Asia Pacific,  
Singapore

Niedax Thailand,  
Rayong  
1 Production plant

Niedax India,  
Bangalore  
1 Production plant

Vietnam, Ho Chi Minh City

Niedax Australia,  
Sydney

## UAE

Niedax Middle East,  
Dubai



[www.niedax.co.in](http://www.niedax.co.in)

**Niedax India Cable Management Systems Pvt. Ltd.**

**Corporate Office:** #1007, Level 10, Prestige Meridian I,  
No.29, Mahatma Gandhi Road, Bangalore-560001

Tel: +91-080-4116-1385 Email: [info@niedax.co.in](mailto:info@niedax.co.in)

Mobile: +91-99-8642-8428/ +91-90-0837-4307

**Factory :** Plot No.143/C-4, Bommasandra Industrial Area,  
Hosur Road, Anekal Taluk, Bangalore-560099