



XS Cable Management Systems

Light & Medium Duty Cable Ladder

- Patented Roll Formed Profile
 - Fast and Easy Installation
 - Flexible Layout Feasibility
 - Customized Solution
 - Off the Shelf Availability
 - Choice of Accessories
- ***Xtra Strength***
 - ***Xtra Stability***
 - ***Xtensive Solution***
 - ***X Stock***



A Perfect Solution

An Engineered Product with
Quality, Consistency and
Cost Effectiveness.

Standardized products equipped with
robust technology and emphasizing on
the safety aspects without compromising
on load bearing capacity.

ICONS

Cable Ladder Finishes

A	Alu Zinc & Magnesium
4	AISI 304
6	AISI 316

G	Pre-Galvanized
H	Hot-Dip Galvanized
P	Powder Coated

Items

Dimensions

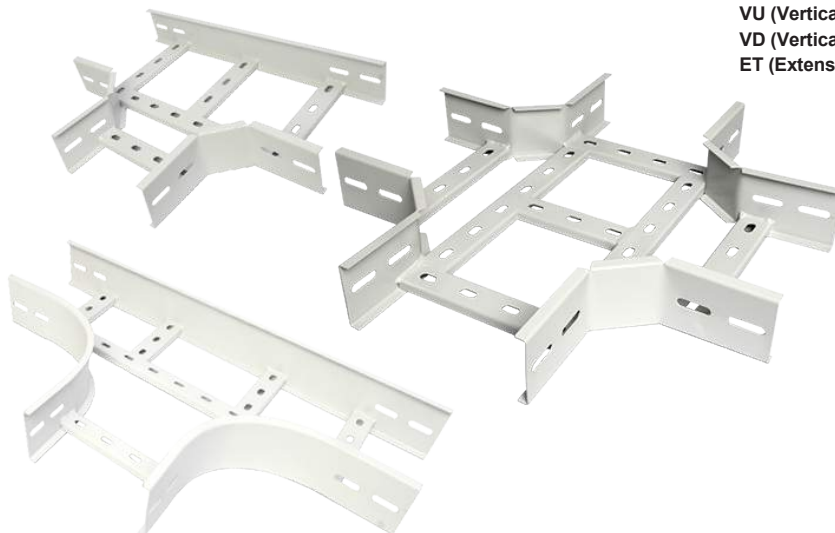
Y (XS Ladder)
 C (Conventional Cover)
 Z (XS Ladder Cover)
 A (Not applicable)
 t (Thickness in mm)
 l (Length in mm)
 B (Bolted)
 W (Welded)

Widths (W)		Height (H)	
50 mm	05	75 mm	7
75 mm	07	100 mm	1
100 mm	10		
150 mm	15		
200 mm	20		
300 mm	30		
400 mm	40		
450 mm	45		
500 mm	50		
600 mm	60		
750 mm	75		
900 mm	90		

* All Dimensions are in millimeters (mm)

Accessories

TB (Tee Bend)
 H3 (30° Horizontal Bend)
 H4 (45° Horizontal Bend)
 H9 (90° Horizontal Bend)
 V3 (30° Vertical Bend)
 V4 (45° Vertical Bend)
 V9 (90° Vertical Bend)
 CB (Cross Bend)
 RL (Reducer Left)
 RR (Reducer Right)
 RE (Reducer Equal)
 VU (Vertical Up Bend)
 VD (Vertical Down Bend)
 ET (Extension Tee)



CABLE LADDER SPECIFICATIONS

Cable Ladder Design & Manufacture

Niedax's Cable Ladder systems are designed and manufactured according to National (Indian Standard, CPRI) and International Standards (Such as NEMA VE1 and IEC 61537).

Material

Pre-Galvanised Steel:

Ladders shall meet the minimum yield and tensile strength of the ASTM standards (ASTM A653) with G 90 coating thickness.

Hot-Dip Galvanised Steel:

Ladders are Hot-Dip Galvanised in accordance with ASTM A123.

Stainless Steel:

Ladders are constructed of AISI type 304 or type 316 stainless steel.

Powder Coated:

Ladders are pre-treated and powder coated as per IEC Standards.

Alu Zinc + Magnesium:

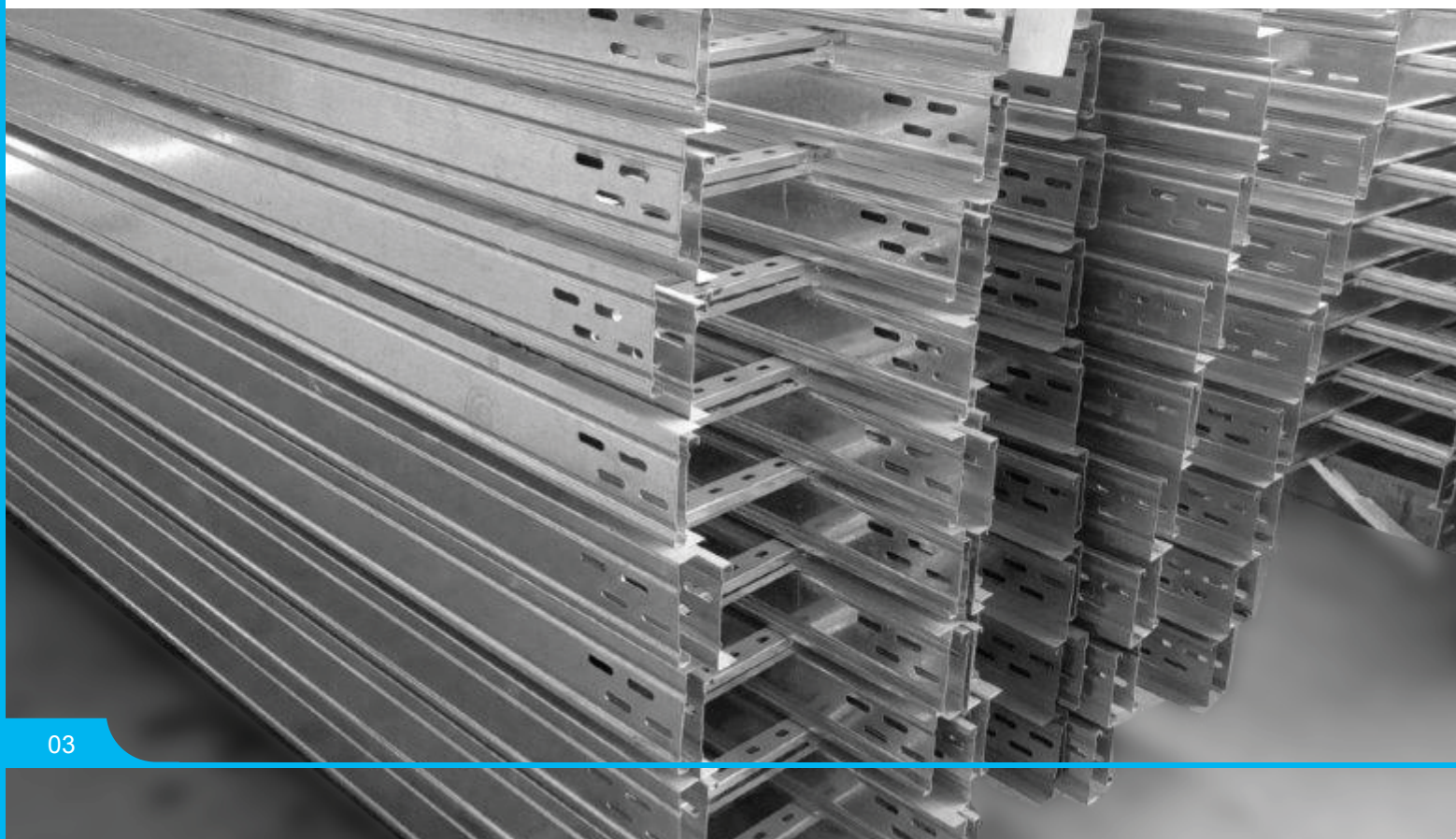
Ladders with Zinc-Aluminium-Magnesium coating are ideal for multiple engineering applications where good corrosion resistance in very aggressive environments is required. Due to its unique composition it offers a self healing property on cut edges.

HRCA (Hot Rolled and Close Annealed):

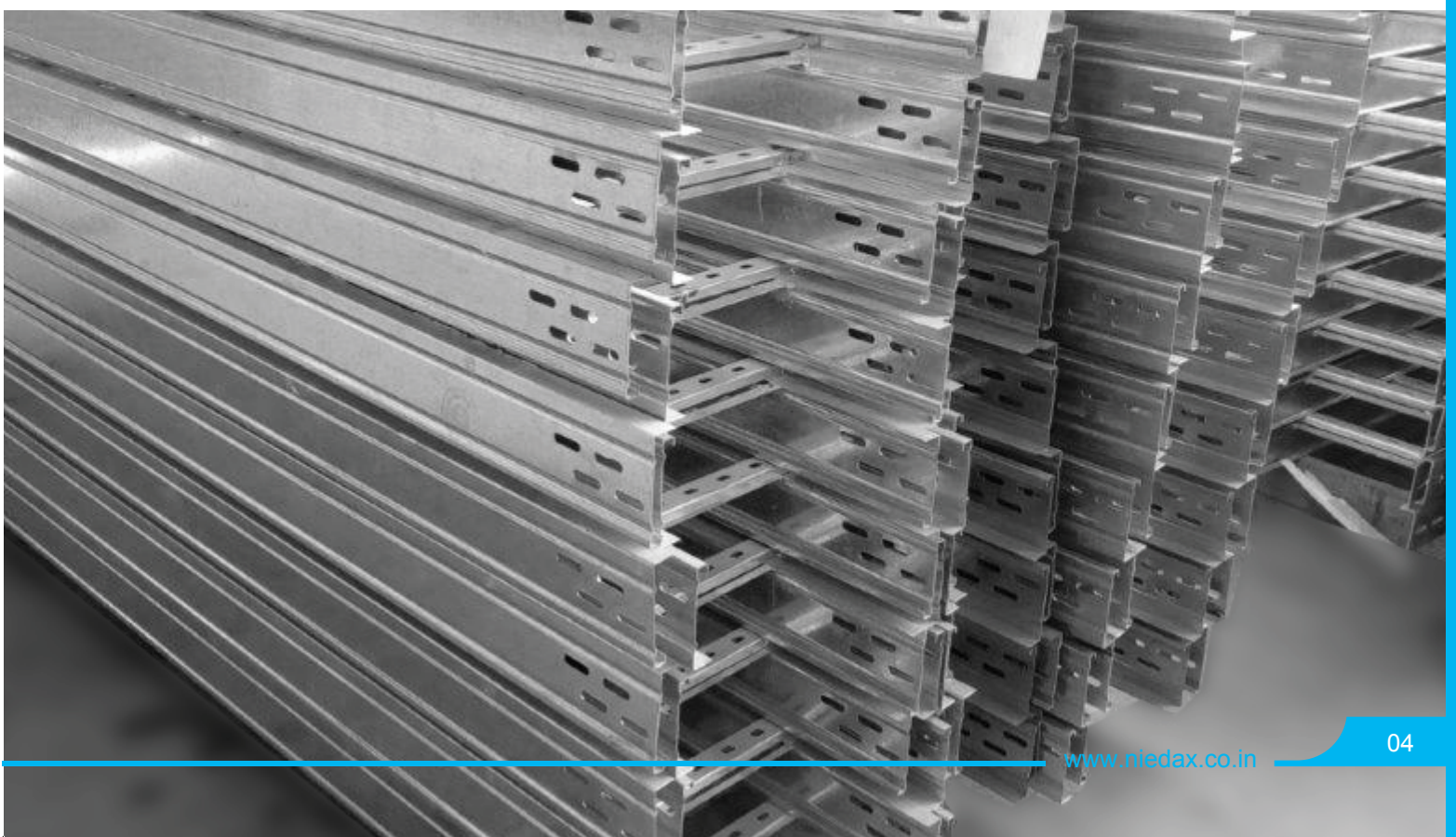
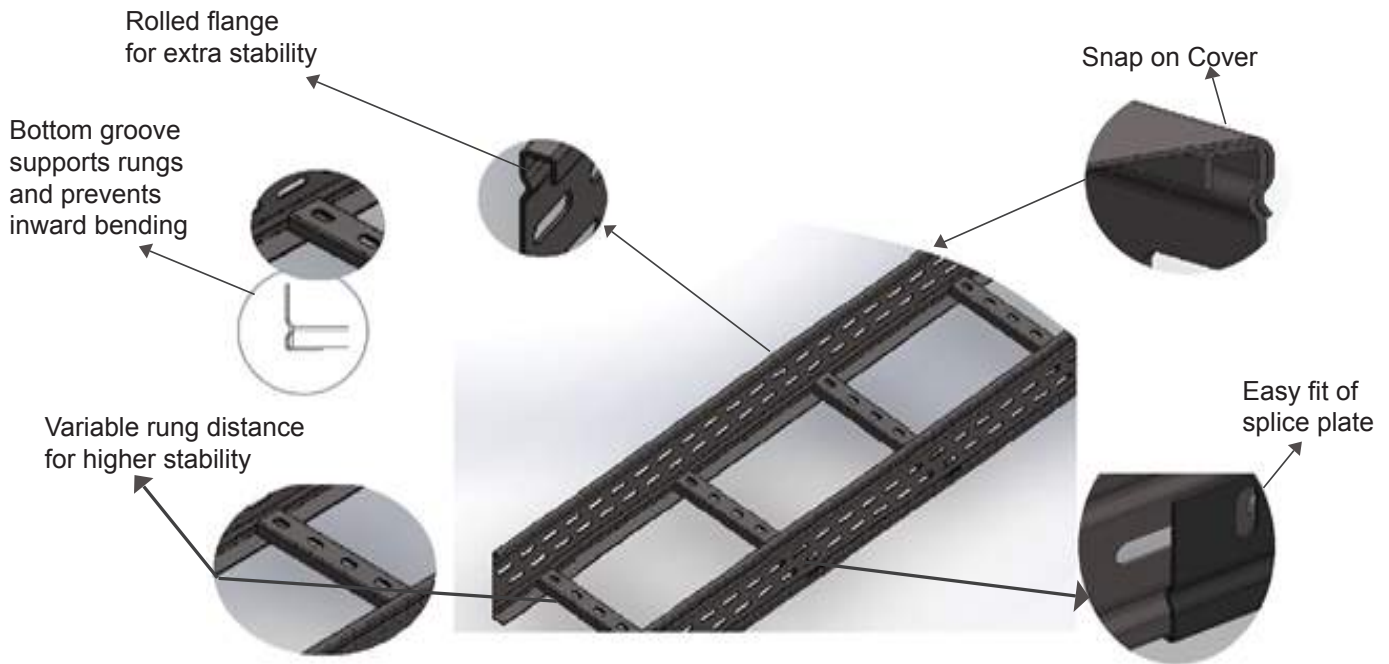
Ladders are made of hot roll steel which shall meet IS2062 standard.

CRCA (Cold Rolled Close Annealed):

Ladders are made of cold roll steel which shall meet IS513 standard.



Profile Design Cable Ladder Features

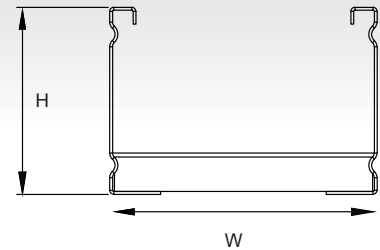


CABLE LADDER DIMENSIONS



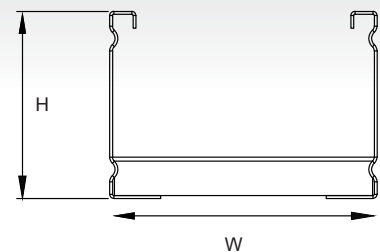
Welded Type Cable Ladder

Finish	Tray Model No.	Cover Model No.	Width (W) mm	Height (H) mm
G	YW107tIG	ZN100tIG	100	75
G	YW157tIG	ZN150tIG	150	75
G	YW207tIG	ZN200tIG	200	75
G	YW307tIG	ZN300tIG	300	75
G	YW457tIG	ZN450tIG	450	75
G	YW607tIG	ZN600tIG	600	75
G	YW757tIG	ZN750tIG	750	75
G	YW907tIG	ZN900tIG	900	75
H	YW107tIH	ZN100tIH	100	75
H	YW157tIH	ZN150tIH	150	75
H	YW207tIH	ZN200tIH	200	75
H	YW307tIH	ZN300tIH	300	75
H	YW457tIH	ZN450tIH	450	75
H	YW607tIH	ZN600tIH	600	75
H	YW757tIH	ZN750tIH	750	75
H	YW907tIH	ZN900tIH	900	75
A	Alu Zinc & Magnesium	These finishes are available upon request.		
4	AISI 304			
6	AISI 316			
P	Powder Coated			



Welded Type Cable Ladder

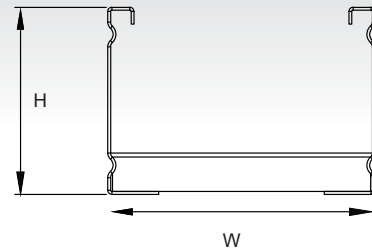
Finish	Tray Model No.	Cover Model No.	Width (W) mm	Height (H) mm
G	YW101tIG	ZN100tIG	100	100
G	YW151tIG	ZN150tIG	150	100
G	YW201tIG	ZN200tIG	200	100
G	YW301tIG	ZN300tIG	300	100
G	YW451tIG	ZN450tIG	450	100
G	YW601tIG	ZN600tIG	600	100
G	YW751tIG	ZN750tIG	750	100
G	YW901tIG	ZN900tIG	900	100
H	YW101tIH	ZN100tIH	100	100
H	YW151tIH	ZN150tIH	150	100
H	YW201tIH	ZN200tIH	200	100
H	YW301tIH	ZN300tIH	300	100
H	YW451tIH	ZN450tIH	450	100
H	YW601tIH	ZN600tIH	600	100
H	YW751tIH	ZN750tIH	750	100
H	YW901tIH	ZN900tIH	900	100
A	Alu Zinc & Magnesium	These finishes are available upon request.		
4	AISI 304			
6	AISI 316			
P	Powder Coated			



Bolted Type Cable Ladder

Finish	Tray Model No.	Cover Model No.	Width (W) mm	Height (H) mm
G	YB107tIG	ZN100tIG	100	75
G	YB157tIG	ZN150tIG	150	75
G	YB207tIG	ZN200tIG	200	75
G	YB307tIG	ZN300tIG	300	75
G	YB457tIG	ZN450tIG	450	75
G	YB607tIG	ZN600tIG	600	75
G	YB757tIG	ZN750tIG	750	75
G	YB907tIG	ZN900tIG	900	75
H	YB107tIH	ZN100tIH	100	75
H	YB157tIH	ZN150tIH	150	75
H	YB207tIH	ZN200tIH	200	75
H	YB307tIH	ZN300tIH	300	75
H	YB457tIH	ZN450tIH	450	75
H	YB607tIH	ZN600tIH	600	75
H	YB757tIH	ZN750tIH	750	75
H	YB907tIH	ZN900tIH	900	75
A	Alu Zinc & Magnesium			
4	AISI 304			
6	AISI 316			
P	Powder Coated			

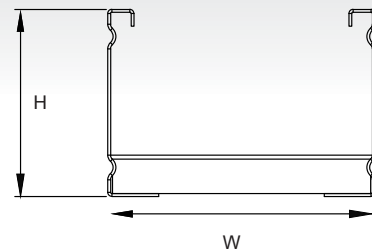
These finishes are available upon request.



Bolted Type Cable Ladder

Finish	Tray Model No.	Cover Model No.	Width (W) mm	Height (H) mm
G	YB101tIG	ZN100tIG	100	100
G	YB151tIG	ZN150tIG	150	100
G	YB201tIG	ZN200tIG	200	100
G	YB301tIG	ZN300tIG	300	100
G	YB451tIG	ZN450tIG	450	100
G	YB601tIG	ZN600tIG	600	100
G	YB751tIG	ZN750tIG	750	100
G	YB901tIG	ZN900tIG	900	100
H	YB101tIH	ZN100tIH	100	100
H	YB151tIH	ZN150tIH	150	100
H	YB201tIH	ZN200tIH	200	100
H	YB301tIH	ZN300tIH	300	100
H	YB451tIH	ZN450tIH	450	100
H	YB601tIH	ZN600tIH	600	100
H	YB751tIH	ZN750tIH	750	100
H	YB901tIH	ZN900tIH	900	100
A	Alu Zinc & Magnesium			
4	AISI 304			
6	AISI 316			
P	Powder Coated			

These finishes are available upon request.



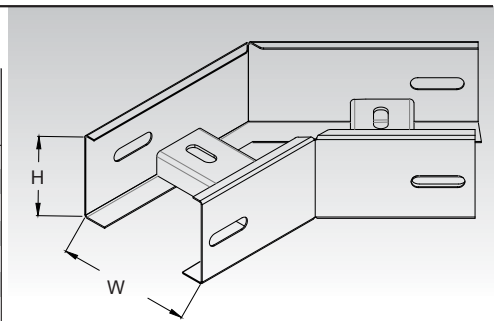
CABLE LADDER DIMENSIONS



Cable Ladders' Accessories Range

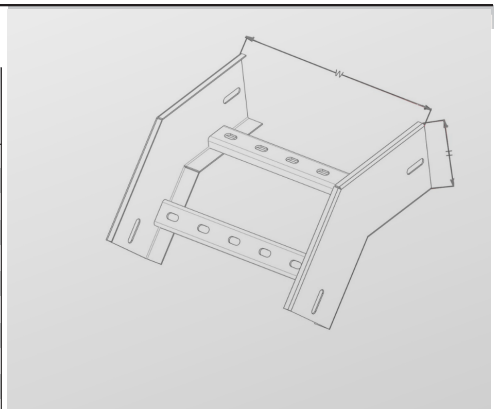
45° Horizontal Bend

Finish	Tray Model No.	Cover Model No.	Width (W) mm	Height (H) mm
G	LW107t0GH4	CN100t0GH4	100	75
G	LW157t0GH4	CN150t0GH4	150	75
G	LW207t0GH4	CN200t0GH4	200	75
G	LW307t0GH4	CN300t0GH4	300	75
G	LW457t0GH4	CN450t0GH4	450	75
G	LW607t0GH4	CN600t0GH4	600	75
G	LW757t0GH4	CN750t0GH4	750	75
G	LW907t0GH4	CN900t0GH4	900	75
H	LW107t0HH4	CN100t0HH4	100	75
H	LW157t0HH4	CN150t0HH4	150	75
H	LW207t0HH4	CN200t0HH4	200	75
H	LW307t0HH4	CN300t0HH4	300	75
H	LW457t0HH4	CN450t0HH4	450	75
H	LW607t0HH4	CN600t0HH4	600	75
H	LW757t0HH4	CN750t0HH4	750	75
H	LW907t0HH4	CN900t0HH4	900	75
A	Alu Zinc & Magnesium	These finishes are available upon request.		
4	AISI 304			
6	AISI 316			
P	Powder Coated			



45° Vertical Bend

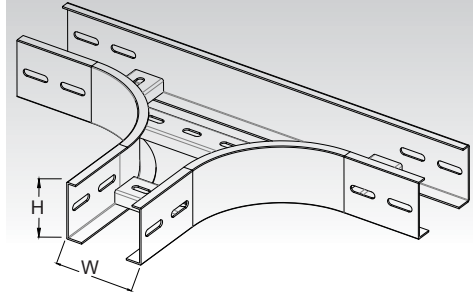
Finish	Tray Model No.	Cover Model No.	Width (W) mm	Height (H) mm
G	LW107t0GV4	CN100t0GV4	100	75
G	LW157t0GV4	CN150t0GV4	150	75
G	LW207t0GV4	CN200t0GV4	200	75
G	LW307t0GV4	CN300t0GV4	300	75
G	LW457t0GV4	CN450t0GV4	450	75
G	LW607t0GV4	CN600t0GV4	600	75
G	LW757t0GV4	CN750t0GV4	750	75
G	LW907t0GV4	CN900t0GV4	900	75
H	LW107t0HV4	CN100t0HV4	100	75
H	LW157t0HV4	CN150t0HV4	150	75
H	LW207t0HV4	CN200t0HV4	200	75
H	LW307t0HV4	CN300t0HV4	300	75
H	LW457t0HV4	CN450t0HV4	450	75
H	LW607t0HV4	CN600t0HV4	600	75
H	LW757t0HV4	CN750t0HV4	750	75
H	LW907t0HV4	CN900t0HV4	900	75
A	Alu Zinc & Magnesium	These finishes are available upon request.		
4	AISI 304			
6	AISI 316			
P	Powder Coated			



Cable Ladders' Accessories Range

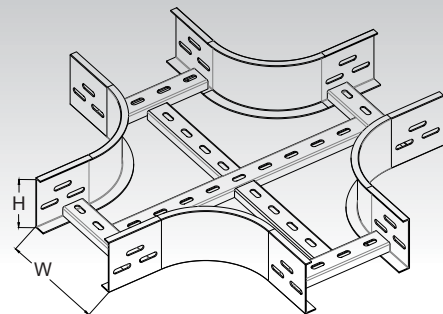
TB (Tee Bend)

Finish	Tray Model No.	Cover Model No.	Width (W) mm	Height (H) mm
G	LW107t0GTB	CN100t0GTB	100	75
G	LW157t0GTB	CN150t0GTB	150	75
G	LW207t0GTB	CN200t0GTB	200	75
G	LW307t0GTB	CN300t0GTB	300	75
G	LW457t0GTB	CN450t0GTB	450	75
G	LW607t0GTB	CN600t0GTB	600	75
G	LW757t0GTB	CN750t0GTB	750	75
G	LW907t0GTB	CN900t0GTB	900	75
H	LW107t0HTB	CN100t0HTB	100	75
H	LW157t0HTB	CN150t0HTB	150	75
H	LW207t0HTB	CN200t0HTB	200	75
H	LW307t0HTB	CN300t0HTB	300	75
H	LW457t0HTB	CN450t0HTB	450	75
H	LW607t0HTB	CN600t0HTB	600	75
H	LW757t0HTB	CN750t0HTB	750	75
H	LW907t0HTB	CN900t0HTB	900	75
A	Alu Zinc & Magnesium	These finishes are available upon request.		
4	AISI 304			
6	AISI 316			
P	Powder Coated			



CB (Cross Bend)

Finish	Tray Model No.	Cover Model No.	Width (W) mm	Height (H) mm
G	LW107t0GCB	CN100t0GCB	100	75
G	LW157t0GCB	CN150t0GCB	150	75
G	LW207t0GCB	CN200t0GCB	200	75
G	LW307t0GCB	CN300t0GCB	300	75
G	LW457t0GCB	CN450t0GCB	450	75
G	LW607t0GCB	CN600t0GCB	600	75
G	LW757t0GCB	CN750t0GCB	750	75
G	LW907t0GCB	CN900t0GCB	900	75
H	LW107t0HCB	CN100t0GCB	100	75
H	LW157t0HCB	CN150t0GCB	150	75
H	LW207t0HCB	CN200t0GCB	200	75
H	LW307t0HCB	CN300t0GCB	300	75
H	LW457t0HCB	CN450t0GCB	450	75
H	LW607t0HCB	CN600t0GCB	600	75
H	LW757t0HCB	CN750t0GCB	750	75
H	LW907t0HCB	CN900t0HCB	900	75
A	Alu Zinc & Magnesium	These finishes are available upon request.		
4	AISI 304			
6	AISI 316			
P	Powder Coated			



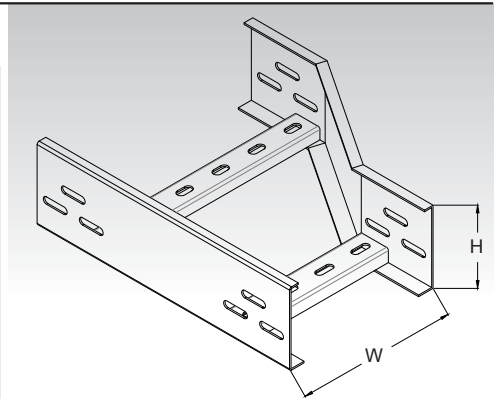
CABLE LADDER DIMENSIONS



Cable Ladders' Accessories Range

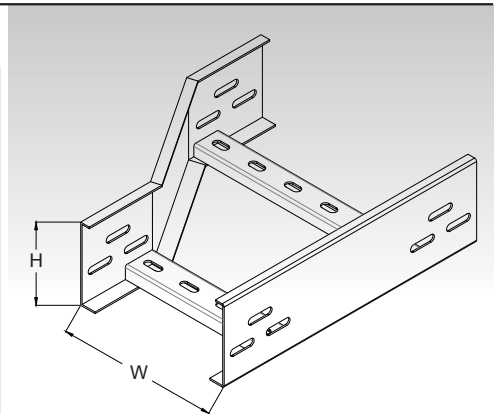
RL (Reducer Left)

Finish	Tray Model No.	Cover Model No.	Width (W1) mm	Width (W1) mm	Height (H) mm
G	LW157t0GRL10	CN150t0GRL10	150	100	75
G	LW207t0GRL15	CN200t0GRL15	200	150	75
G	LW307t0GRL20	CN300t0GRL20	300	200	75
G	LW457t0GRL30	CN450t0GRL30	450	300	75
G	LW607t0GRL45	CN600t0GRL45	600	450	75
G	LW757t0GRL60	CN750t0GRL60	750	600	75
G	LW907t0GRL75	CN900t0GRL75	900	750	75
H	LW157t0HRL10	CN150t0HRL10	150	100	75
H	LW207t0HRL15	CN200t0HRL15	200	150	75
H	LW307t0HRL20	CN300t0HRL20	300	200	75
H	LW457t0HRL30	CN450t0HRL30	450	300	75
H	LW607t0HRL45	CN600t0HRL45	600	450	75
H	LW757t0HRL60	CN750t0HRL60	750	600	75
H	LW907t0HRL75	CN900t0HRL75	900	750	75
A	Alu Zinc & Magnesium	These finishes are available upon request.			
4	AISI 304				
6	AISI 316				
P	Powder Coated				



RR (Reducer Right)

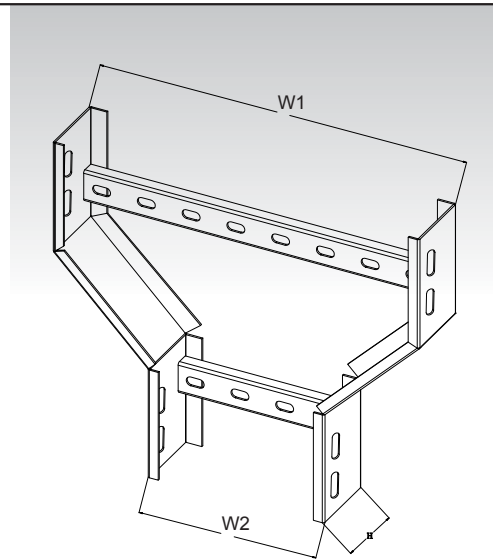
Finish	Tray Model No.	Cover Model No.	Width (W1) mm	Width (W1) mm	Height (H) mm
G	LW157t0GRR10	CN150t0GRR10	150	100	75
G	LW207t0GRR15	CN200t0GRR15	200	150	75
G	LW307t0GRR20	CN300t0GRR20	300	200	75
G	LW457t0GRR30	CN450t0GRR30	450	300	75
G	LW607t0GRR45	CN600t0GRR45	600	450	75
G	LW757t0GRR60	CN750t0GRR60	750	600	75
G	LW907t0GRR75	CN900t0GRR75	900	750	75
H	LW157t0HRR10	CN150t0HRR10	150	100	75
H	LW207t0HRR15	CN200t0HRR15	200	150	75
H	LW307t0HRR20	CN300t0HRR20	300	200	75
H	LW457t0HRR30	CN450t0HRR30	450	300	75
H	LW607t0HRR45	CN600t0HRR45	600	450	75
H	LW757t0HRR60	CN750t0HRR60	750	600	75
H	LW907t0HRR75	CN900t0HRR75	900	750	75
A	Alu Zinc & Magnesium	These finishes are available upon request.			
4	AISI 304				
6	AISI 316				
P	Powder Coated				



Cable Ladders' Accessories Range

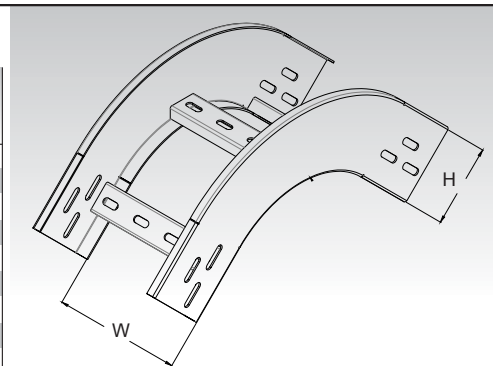
RE (Reducer Equal)

Finish	Tray Model No.	Cover Model No.	Width (W1) mm	Width (W1) mm	Height (H) mm
G	LW157t0GRE10	CN150t0GRE10	150	100	75
G	LW207t0GRE15	CN200t0GRE15	200	150	75
G	LW307t0GRE20	CN300t0GRE20	300	200	75
G	LW457t0GRE30	CN450t0GRE30	450	300	75
G	LW607t0GRE45	CN600t0GRE45	600	450	75
G	LW757t0GRE60	CN750t0GRE60	750	600	75
G	LW907t0GRE75	CN900t0GRE75	900	750	75
H	LW157t0HRE10	CN150t0HRE10	150	100	75
H	LW207t0HRE15	CN200t0HRE15	200	150	75
H	LW307t0HRE20	CN300t0HRE20	300	200	75
H	LW457t0HRE30	CN450t0HRE30	450	300	75
H	LW607t0HRE45	CN600t0HRE45	600	450	75
H	LW757t0HRE60	CN750t0HRE60	750	600	75
H	LW907t0HRE75	CN900t0HRE75	900	750	75
A	Alu Zinc & Magnesium	These finishes are available upon request.			
4	AISI 304				
6	AISI 316				
P	Powder Coated				



VU (Vertical Up Bend)

Finish	Tray Model No.	Cover Model No.	Width (W) mm	Height (H) mm
G	LW107t0GVU	CN100t0GVU	100	75
G	LW157t0GVU	CN150t0GVU	150	75
G	LW207t0GVU	CN200t0GVU	200	75
G	LW307t0GVU	CN300t0GVU	300	75
G	LW457t0GVU	CN450t0GVU	450	75
G	LW607t0GVU	CN600t0GVU	600	75
G	LW757t0GVU	CN750t0GVU	750	75
G	LW907t0GVU	CN900t0GVU	900	75
H	LW107t0HVU	CN100t0HVU	100	75
H	LW157t0HVU	CN150t0HVU	150	75
H	LW207t0HVU	CN200t0HVU	200	75
H	LW307t0HVU	CN300t0HVU	300	75
H	LW457t0HVU	CN450t0HVU	450	75
H	LW607t0HVU	CN600t0HVU	600	75
H	LW757t0HVU	CN750t0HVU	750	75
H	LW907t0HVU	CN900t0HVU	900	75
A	Alu Zinc & Magnesium	These finishes are available upon request.		
4	AISI 304			
6	AISI 316			
P	Powder Coated			

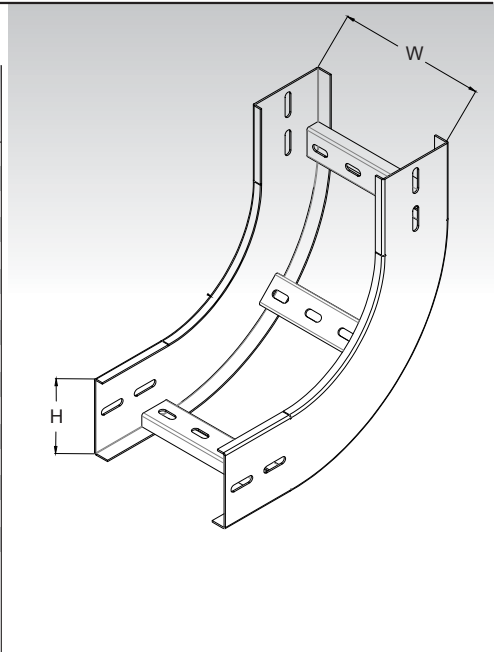


CABLE LADDER DIMENSIONS

Cable Ladders' Accessories Range

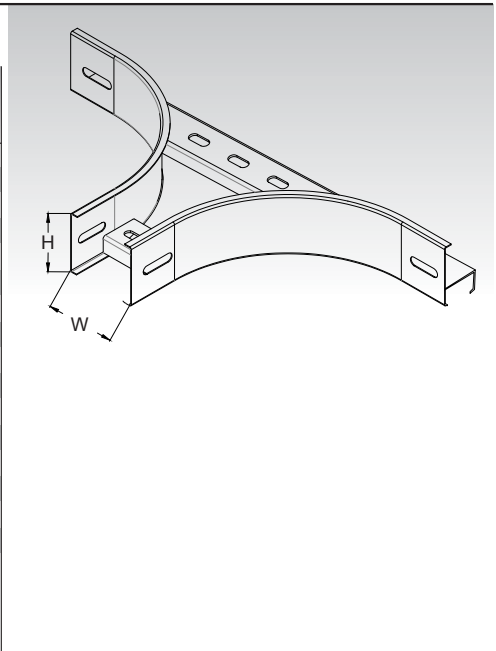
VD(Vertical Down Bend)

Finish	Tray Model No.	Cover Model No.	Width(W) mm	Height(H) mm
G	LW107t0GVD	CN100t0GVD	100	75
G	LW157t0GVD	CN150t0GVD	150	75
G	LW207t0GVD	CN200t0GVD	200	75
G	LW307t0GVD	CN300t0GVD	300	75
G	LW457t0GVD	CN450t0GVD	450	75
G	LW607t0GVD	CN600t0GVD	600	75
G	LW757t0GVD	CN750t0GVD	750	75
G	LW907t0GVD	CN900t0GVD	900	75
H	LW107t0HVD	CN100t0HVD	100	75
H	LW157t0HVD	CN150t0HVD	150	75
H	LW207t0HVD	CN200t0HVD	200	75
H	LW307t0HVD	CN300t0HVD	300	75
H	LW457t0HVD	CN450t0HVD	450	75
H	LW607t0HVD	CN600t0HVD	600	75
H	LW757t0HVD	CN750t0HVD	750	75
H	LW907t0HVD	CN900t0HVD	900	75
A	Alu Zinc & Magnesium	These finishes are available upon request.		
4	AISI 304			
6	AISI 316			
P	Powder Coated			



ET (Extension Tee)

Finish	Tray Model No.	Cover Model No.	Width(W) mm	Height(H) mm
G	LW107t0GET	CN100t0GET	100	75
G	LW157t0GET	CN150t0GET	150	75
G	LW207t0GET	CN200t0GET	200	75
G	LW307t0GET	CN300t0GET	300	75
G	LW457t0GET	CN450t0GET	450	75
G	LW607t0GET	CN600t0GET	600	75
G	LW757t0GET	CN750t0GET	750	75
G	LW907t0GET	CN900t0GET	900	75
H	LW107t0HET	CN100t0HET	100	75
H	LW157t0HET	CN150t0HET	150	75
H	LW207t0HET	CN200t0HET	200	75
H	LW307t0HET	CN300t0HET	300	75
H	LW457t0HET	CN450t0HET	450	75
H	LW607t0HET	CN600t0HET	600	75
H	LW757t0HET	CN750t0HET	750	75
H	LW907t0HET	CN900t0HET	900	75
A	Alu Zinc & Magnesium	These finishes are available upon request.		
4	AISI 304			
6	AISI 316			
P	Powder Coated			

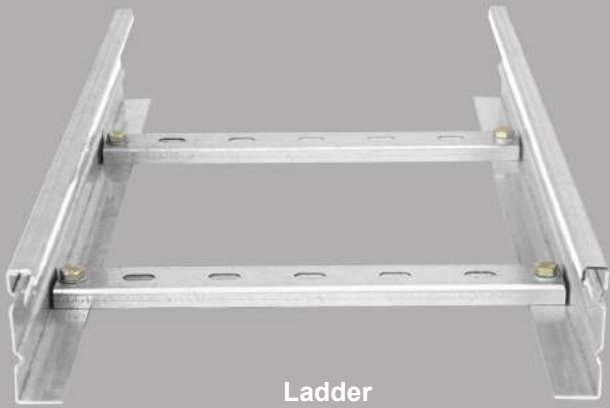


Product height customization options are available depending upon request.

Standard thickness:

- 1.6 (0.8, 1.0, 1.2, 1.8 & 2.0 available on request)
- Upto 1.6 mm thickness is available for SS and Pre-Galvanized materials
- Upto 2 mm thickness is available for Hot-Dip Galvanized materials

Standard Length upto 3 mtrs is available.



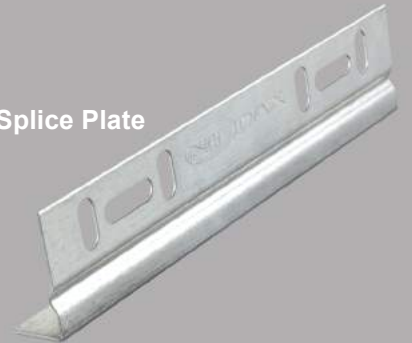
Ladder

Reducer Right

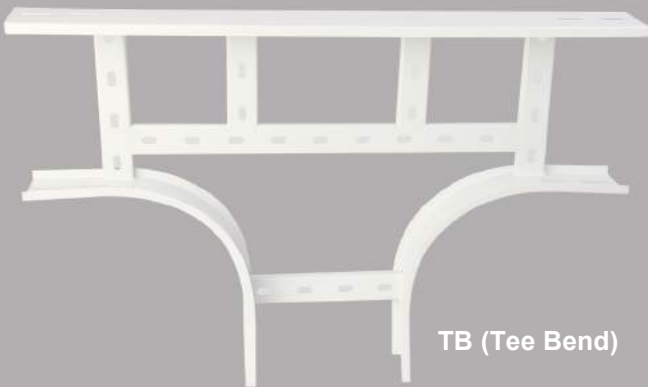


45° Vertical Bend

Splice Plate



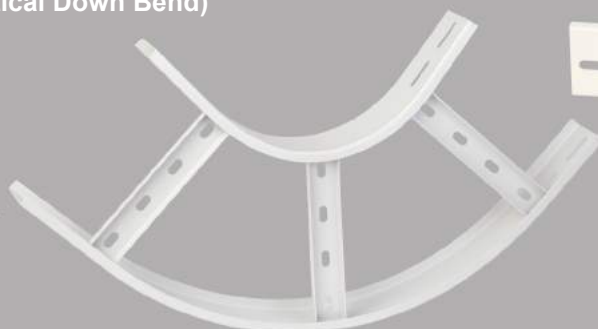
Cantilever



TB (Tee Bend)



VD (Vertical Down Bend)



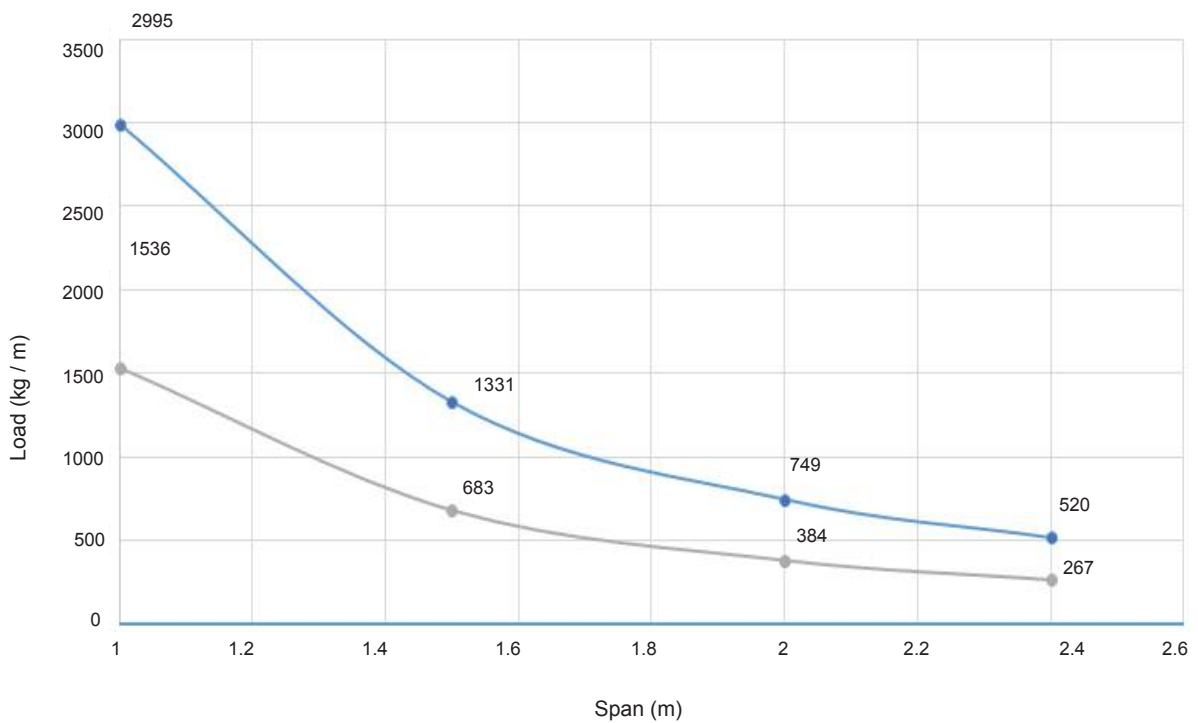
PRODUCTS STANDARDS & PERFORMANCES

IEC / EN-61537
NEMA-VE1

Thinner Profile Design is much Stronger than Thicker Standard Design

Test product : Perforated Cable Ladder (Conventional)	Span (m)	Load at Span(Kg)	Test product : Perforated Cable Ladder (Profile)	Span (m)	Load at Span (Kg)
Thickness : 2 mm	1	1536	Thickness : 1.5 mm	1	2995
Size of the product : 200 x 75 mm (W x H)	1.5	683	Size of the product : 200 x 75 mm (W x H)	1.5	1331
	2	384		2	749
	2.4	267		2.4	520

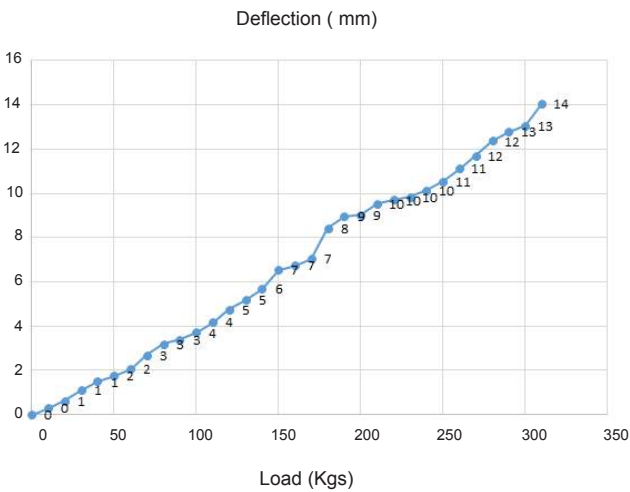
Load Bearing Capacity Comparison between Conventional & Profile Design Allowable Load Graph



—●— Load at Span (Conventional Design) with 2 mm thickness
—●— Load at Span (Profile Design) with 1.5 mm thickness

Load Bearing Test Report of Profile Design Cable Ladder

Test product	Perforated Cable Ladder (Profile Type)	Sl. No.	Applied Load (Kg)	Deflection (mm)	No Permanent Deformation Observed	
Size of the product	300 x 75 x 2500 mm	1	0	0		
MOC	CRCA	2	10	0		
Thickness	1.5 mm	2	20	1		
Span	2400 mm	3	30	1		
Bearing	50 mm	4	40	1		
Reference Standard	NEMA VE 1	5	50	2		
		6	60	2		
		7	70	3		
		8	80	3		
		9	90	3		
		10	100	4		
		11	110	4		
		12	120	5		
		13	130	5		
		14	140	6		
		15	150	7		
		16	160	7		
		17	170	7		
		18	180	8		
		19	190	9		
		20	200	9		
		21	210	10		
		22	220	10		
		23	230	10		
		24	240	10		
		25	250	11		
		26	260	11		
		27	270	12		
		28	280	12		
		29	290	13		
		30	300	13		
		31	310	14		
		40	Breaking Load	780 Kg		Permanent Deformation Observed



GLOBAL PRESENCE

18 PRODUCTION SITES WORLDWIDE

34 DISTRIBUTION AGENCIES IN 30 COUNTRIES WORLDWIDE



EUROPE

Niedax Germany, Linz/Rhein
3 Production plants
4 Regional Warehouses

Niedax France, Paris
3 Production plants

JV Femi - CZ
Steel Line CMS, Italy
4 Production plants

Niedax Netherlands,
Nijmegen
Gouda
1 Production plant

Niedax Hungary,
Budapest
1 Production plant

Niedax Austria,
Vienna

Niedax Switzerland,
Visp, Zürich

Niedax Belgium,
Gent

Niedax Spain,
Madrid

Niedax Poland,
Tarnowie Góry

Niedax Czech Republic, Praha

Niedax Ireland, Tralee
1 Production plant (Excel Electric, Dublin)

BVS-Niedax Norway, Oslo

Niedax Bulgaria,
Sofia

Niedax Romania,
Bukarest

Niedax Slovakia,
Bratislava

Niedax Russia,
Moscow

NO. & SO. AMERICA

Niedax North America
Columbus/Ohio

Niedax Mexico,
Puebla

Niedax MOPA Brazil,
Sao Paulo
1 Production Plant

Niedax Chile,
Santiago

Niedax Peru, Lima

Niedax Canada, Québec

ASIA & AUSTRALIA

Niedax Asia Pacific,
Singapore

Niedax Thailand,
Rayong
1 Production plant

Niedax India,
Bangalore
1 Production plant

Vietnam, Ho Chi Minh City

Niedax Australia,
Sydney

UAE

Niedax Middle East,
Dubai



www.niedax.co.in

Niedax India Cable Management Systems Pvt. Ltd.

Corporate Office: #1007, Level 10, Prestige Meridian I,
No.29, Mahatma Gandhi Road, Bangalore-560001

Tel: +91-080-4116-1385 Email: info@niedax.co.in

Mobile: +91-99-8642-8428/ +91-90-0837-4307

Factory : Plot No.143/C-4, Bommasandra Industrial Area,
Hosur Road, Anekal Taluk, Bangalore-560099