

# Pneumatic Indicator

## PWC, PWL Series



### Product feature

1. Use to detect if compressed air passing by.
2. Rubber can maintain signal accuracy.
3. Transparent indicator window: Made of Nylon, strong and clear.
4. Nickel plated Brass body to prevent corrosion and contamination.
5. Standard sealant can prevent leakage.
6. Plug-in type for efficient and easy mounting.

### Specification

Model	PWC	PWL
Fluid	Air(to be filtered by 40µm filter element)	
Indication color	Red/Green	
Structure	Piston type	
Operating pressure	0.2~1.0MPa(29~145psi)(2.0~10bar)	
Proof pressure	1.5MPa(215psi)(15.0bar)	
Temperature °C	-20~70	
Tube	/	Nylon tube or PU tube
Color of body	/	Grey

### Ordering code

PWL 6 01 R □

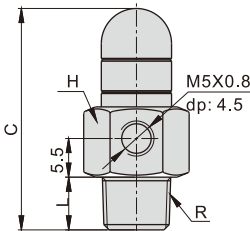


① Model	② Port size	③ Port size	④ Indication color	⑤ Thread
PWC:Standard	M5:M5X0.8	M5:M5X0.8 01:1/8 02:1/4	R:Red GN:Green	Blank:PT G:G T:NPT  [Note]
PWL:Plug-in type	4:Φ4 6:Φ6 8:Φ8	M5:M5X0.8 (Φ4/Φ6) 01:1/8 (Φ4/Φ6/Φ8) 02:1/4 (Φ6/Φ8)		

[Note] M5 thread is blank here.

### Dimensions

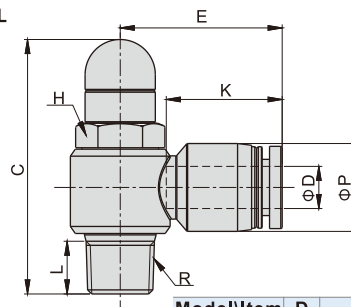
#### PWC



Model/Item	R	L	C	H	Weight(g)
PWCM5M5	M5×0.8	3.5	29.5	13	14.2
PWCM501	1/8	7.5(5.5)	32	13	16.2
PWCM502	1/4	10(6.5)	34.5	14	23.5

Note: ( ) are for G thread model.

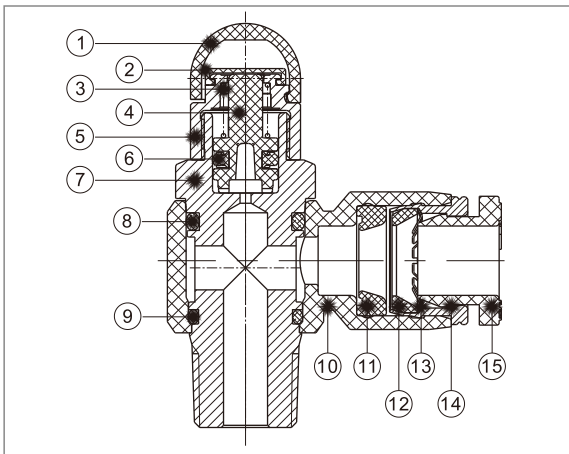
#### PWL



Model/Item	D	R	P	L	C	K	E	H	Weight(g)
PWL4M5	4	M5×0.8	9	3.5	30	14	19	10	7.8
PWL401		1/8		7.5(5.5)	36.5		20.5	11	14
PWL6M5	6	M5×0.8		3.5	30		23.5	10	8.8
PWL601		1/8"	12.5	7.5(5.5)	36.5	16.5	23	11	15
PWL602		1/4"		10(6.5)	39.5		25	14	23
PWL801	8	1/8"	15	7.5(5.5)	36.5	18.5	26.5	11	15.5
PWL802		1/4"		10(6.5)	39.5		28.5	14	23.5

Note: ( ) are for G thread model.

### Inner structure and material of major parts



NO.	Item	Material
1	Indicator window	Nylon
2	Rubber shield	NBR
3	Spring	Stainless steel
4	Piston	POM
5	Front cover	Aluminum alloy
6	O-ring	NBR
7	Body	Brass
8	O-ring	NBR
9	O-ring	NBR
10	Plastic Body	PBT
11	Seal	NBR
12	Locker seat	POM
13	Spring washer	Stainless steel
14	Guide	Aluminum alloy
15	Release button	POM

### Table for interface port and tube O.D.

P Port\Male thread(A port)	M5	1/8"	1/4"
	●	●	●
	●	●	●
	Φ4	●	●
	Φ6	●	●
	Φ8	●	●