

PC, POC series



Ordering code

PC 6 01 - S



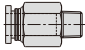
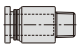
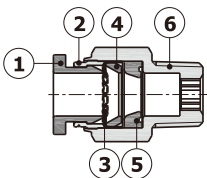
① Model	② Port size	③ Thread connection	④ Material
PC: Male connector 	4: Φ4mm 6: Φ6mm 8: Φ8mm	Thread connection: M5: M5X0.8	Adaptable port size: Φ4, Φ6
POC: Male connector 	10: Φ10mm 12: Φ12mm	01: PT1/8 02: PT1/4 03: PT3/8 04: PT1/2	S: Stainless steel 304 Φ4, Φ6 Φ8, Φ10 Φ12

Table for interface port and tube O.D.

Product series	Thread type	Port size				
		Φ4	Φ6	Φ8	Φ10	Φ12
PC	M5	●	●			
	PT1/8	●	●	●	●	●
	PT1/4	●	●	●	●	●
	PT3/8		●	●	●	●
	PT1/2		●	●	●	●
POC	M5	●	●			
	PT1/8	●	●	●	●	
	PT1/4	●	●	●	●	●
	PT3/8			●	●	●
	PT1/2				●	●

Inner structure

PC Series



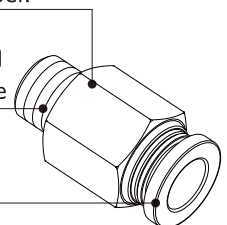
No.	Item	No.	Item
1	Release button	4	Chuck
2	Guide	5	O-ring
3	Spring gasket	6	Body

Specification

Operating pressure range	0~10kgf/cm²(0~1.0MPa)
Negative pressure	-750mmHg(10Torr)
Proof pressure	1.5MPa
Ambient and fluid temperature (°C)	-20~70
Applicable tubing	Soft nylon or polyurethane

Product feature

1. Body material is stainless steel, and all parts don't contain copper.
2. The threaded portion is covered with sealant and the M5 thread is attached with a sealing gasket to prevent air leakage over the connection thread portion.
3. Grey is optional for the release button.

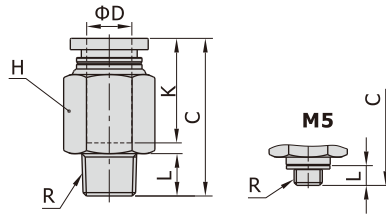


Accessories—One-Touch Fittings(Stainless steel) **AIRTAC**

PC, POC series

Dimensions

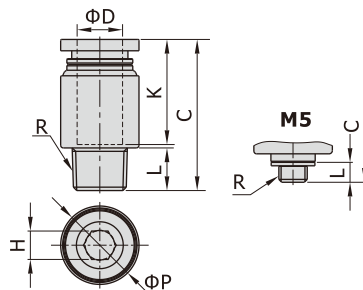
PC Series



[Unit: mm]

Model\Item	ΦD	R	L	C	K	H(Across flat)	Weight(g)
PC4M5-S	4	M5×0.8	3.5	19.5	14	9	6
PC401-S		PT1/8	7.5	19.5	14	10	6.5
PC402-S		PT1/4	10	19.5	14	14	12.5
PC6M5-S	6	M5×0.8	3.5	22.5	16.5	12	8
PC601-S		PT1/8	7.5	22.0	18.5	12	7
PC602-S		PT1/4	10	24.5	18.5	14	14.5
PC603-S		PT3/8	11	22.5	18.5	17	22
PC604-S	PT1/2	14	26.0	18.5	18.5	21	42
PC801-S	8	PT1/8	7.5	28	18.5	14	12.5
PC802-S		PT1/4	10	27	18.5	14	12
PC803-S		PT3/8	11	23.5	18.5	17	19.5
PC804-S		PT1/2	14	27	18.5	21	40
PC1001-S	10	PT1/8	7.5	30	21	17	19
PC1002-S		PT1/4	10	32.5	21	17	22
PC1003-S		PT3/8	11	28	21	17	19
PC1004-S		PT1/2	14	26.5	21	21	33
PC1201-S	12	PT1/8	7.5	32.5	23	21	35.5
PC1202-S		PT1/4	10	35	23	21	37.5
PC1203-S		PT3/8	11	30.5	23	21	26.5
PC1204-S		PT1/2	14	32.5	23	21	38.5

POC Series



[Unit: mm]

Model\Item	ΦD	R	ΦP	L	C	K	H(Across flat)	Weight(g)
POC4M5-S	4	M5×0.8	9	3.5	18.5	14	2.5	3.5
POC401-S		PT1/8	10	7.5	18	14	3	5
POC402-S		PT1/4	14	10	19.5	14	3	11.5
POC6M5-S	6	M5×0.8	12	3.5	21.5	16.5	2.5	5.5
POC601-S		PT1/8	12	7.5	22.0	18.5	4	6
POC602-S		PT1/4	14	10	22.0	18.5	4	11
POC801-S	8	PT1/8	14	7.5	26.5	18	5	9
POC802-S		PT1/4	14	10	25	18	6	9.5
POC803-S		PT3/8	17	11	23.5	18	6	18
POC1001-S	10	PT1/8	17	7.5	30	21	5	15.5
POC1002-S		PT1/4	17	10	29	21	6	14.5
POC1003-S		PT3/8	17	11	28	21	8	17.5
POC1004-S		PT1/2	21	14	26.5	21	8	32.5
POC1202-S	12	PT1/4	21	10	34.5	23	6	30
POC1203-S		PT3/8	21	11	30	23	8	23
POC1204-S		PT1/2	21	14	32	23	8	34.5

One-touch fittings—threaded type

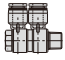


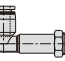



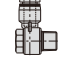
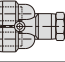


Ordering code

Same diameter type fittings

PL 6 01 - S


① ② ③ ④

① Model		② Port size	③ Thread connection		④ Material
PHW: Double universal male elbow 	PL: Male elbow 	4: Φ 4mm 6: Φ 6mm 8: Φ 8mm 10: Φ 10mm 12: Φ 12mm	Thread connection M5: M5X0.8 01: PT1/8 02: PT1/4 03: PT3/8 04: PT1/2	Adaptable port size Φ 4, Φ 6 Φ 4, Φ 6 Φ 8, Φ 10 Φ 12	S: Stainless steel 304
PHF: Universal female elbow 	PLL: Extended male elbow 				
PEB: Male branch tee 	PZB: Threaded cross 				
PED: Male run tee 	PH: Universal male elbow 				
PYB: Branch "Y" 					

Different diameter type fittings

PKD 6 - 4 01 - S

① ② ③ ④ ⑤

① Model	② Port size	③ Port size	④ Thread connection	⑤ Material
PKD: Male reducer triple branch 	6: Φ 6mm 8: Φ 8mm 10: Φ 10mm	4: Φ 4mm 6: Φ 6mm 8: Φ 8mm	01: PT1/8 02: PT1/4 03: PT3/8	S: Stainless steel 304

Specification

Operating pressure range	0~10kgf/cm²(0~1.0MPa)
Negative pressure	-750mmHg(10Torr)
Proof pressure	1.5MPa
Ambient and fluid temperature (°C)	-20~70
Applicable tubing	Soft nylon or polyurethane

One-touch fittings—threaded type

Table for interface port and tube O.D.

Product series	Thread type	Port size				
		Φ4	Φ6	Φ8	Φ10	Φ12
PL	M5	●	●			
	PT1/8	●	●	●	●	●
	PT1/4	●	●	●	●	●
	PT3/8		●	●	●	●
	PT1/2		●	●	●	●
PLL	M5	●	●			
	PT1/8	●	●	●	●	
	PT1/4	●	●	●	●	●
	PT3/8		●	●	●	●
	PT1/2				●	●
PEB	M5	●	●			
	PT1/8	●	●	●	●	
PED	PT1/4	●	●	●	●	●
PYB	PT3/8		●	●	●	●
	PT1/2			●	●	●
PH PHF	M5	●	●			
	PT1/8	●	●	●		
	PT1/4		●	●	●	
	PT3/8		●	●	●	●
	PT1/2			●	●	●
PHW	PT1/8	●	●	●		
	PT1/4		●	●	●	
	PT3/8		●	●	●	●
	PT1/2			●	●	●
PZB	PT1/8		●	●		
	PT1/4		●	●	●	
	PT3/8		●	●	●	●
	PT1/2			●	●	●

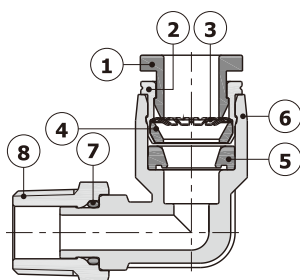
Product series	Thread type	Port size		
		Φ6-Φ4	Φ8-Φ6	Φ10-Φ8
PKD	PT1/8	●		
	PT1/4		●	
	PT3/8			●

Product feature

1. Stainless steel 304 material can be used for forbidding copper condition.
2. Variable models can be widely used in every kind of pneumatic systems.
3. High circulation performance: bear the same flow with the volume of the tubing inside diameter.
4. Connect tubing easily and conveniently. The tubing connection portion is safe and durable.
5. The threaded portion is covered with sealant and the M5 thread is attached with a sealing gasket to prevent air leakage over the connection thread portion.

Inner structure

PL Series

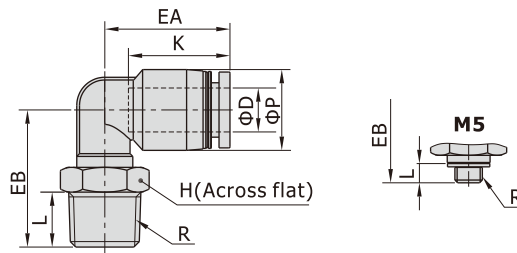


No.	Item
1	Release button
2	Guide
3	Spring gasket
4	Chuck
5	O-ring
6	Body
7	O-ring
8	Stud

One-touch fittings—threaded type

Dimensions

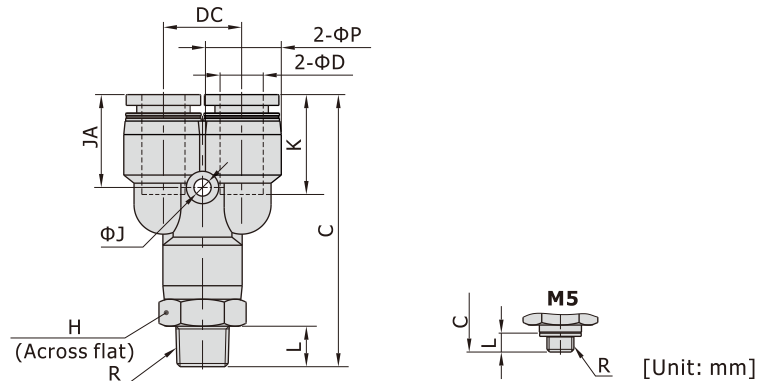
PL Series



[Unit: mm]

Model\Item	ΦD	R	ΦP	L	K	EA	EB	H	Weight(g)
PL4M5-S	4	M5×0.8	9	3.5	14	17	15	8	3
PL401-S		PT1/8	9	7.5	14	17	18.5	10	4.5
PL402-S		PT1/4	9	10	14	17	22.0	14	11
PL6M5-S	6	M5×0.8	12.5	3.5	17	20	17.0	8	4.5
PL601-S		PT1/8	12.5	7.5	17	20	20.5	10	6
PL602-S		PT1/4	12.5	10	17	20	24.0	14	12.5
PL603-S		PT3/8	12.5	11	17	20	25.5	17	19
PL604-S	PT1/2	12.5	14	17	20	30.0	21	33	
PL801-S	8	PT1/8	15	7.5	18.5	23	20.5	10	7
PL802-S		PT1/4	15	10	18.5	23	25.0	14	12
PL803-S		PT3/8	15	11	18.5	23	26.5	17	19.5
PL804-S		PT1/2	15	14	18.5	23	31.0	21	33
PL1001-S	10	PT1/8	18	7.5	21	25.5	25.0	17	15.5
PL1002-S		PT1/4	18	10	21	25.5	27.0	17	18
PL1003-S		PT3/8	18	11	21	25.5	28.0	17	20
PL1004-S		PT1/2	18	14	21	25.5	32.5	21	34.5
PL1201-S	12	PT1/8	21	7.5	23	28.5	26.5	17	18
PL1202-S		PT1/4	21	10	23	28.5	28.5	17	20.5
PL1203-S		PT3/8	21	11	23	29.5	33	17	24
PL1204-S		PT1/2	21	14	23	29.5	34	21	34.5

PYB Series

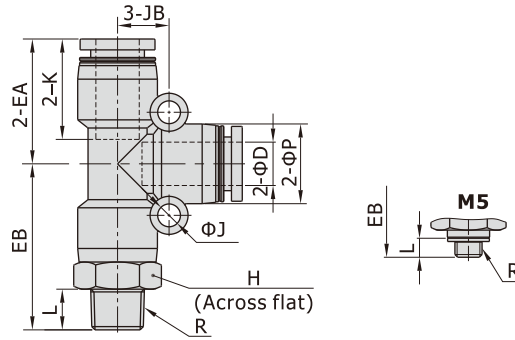


[Unit: mm]

Model\Item	ΦD	R	ΦP	L	C	K	ΦJ	JA	DC	H	Weight(g)
PYB4M5-S	4	M5×0.8	9	3.5	35.5	14	3.2	13	10	9	6.5
PYB401-S		PT1/8	9	7.5	39.5	14	3.2	13	10	10	8.5
PYB402-S		PT1/4	9	10	42.5	14	3.2	13	10	14	10
PYB6M5-S	6	M5×0.8	12.5	3.5	40.5	16.5	3.2	15.5	12	12	10.5
PYB601-S		PT1/8	12.5	7.5	44.5	16.5	3.2	15.5	12	12	13
PYB602-S		PT1/4	12.5	10	47.5	16.5	3.2	15.5	12	14	17
PYB603-S		PT3/8	12.5	11	49.0	16.5	3.2	15.5	12	17	23.5
PYB801-S	8	PT1/8	15	7.5	50	18.5	3.2	17	14.5	14	19
PYB802-S		PT1/4	15	10	52.5	18.5	3.2	17	14.5	14	21
PYB803-S		PT3/8	15	11	54	18.5	3.2	17	14.5	17	26
PYB804-S		PT1/2	15	14	58	18.5	3.2	17	14.5	21	38
PYB1001-S	10	PT1/8	18	7.5	56.5	21	4.3	19.5	18	17	26
PYB1002-S		PT1/4	18	10	59	21	4.3	19.5	18	17	28
PYB1003-S		PT3/8	18	11	60	21	4.3	19.5	18	17	31
PYB1004-S		PT1/2	18	14	64	21	4.3	19.5	18	21	42.5
PYB1202-S	12	PT1/4	21	10	66	23	4.3	21	20.5	21	26.5
PYB1203-S		PT3/8	21	11	67	23	4.3	21	20.5	21	49
PYB1204-S		PT1/2	21	14	70	23	4.3	21	20.5	21	53.5

One-touch fittings—threaded type

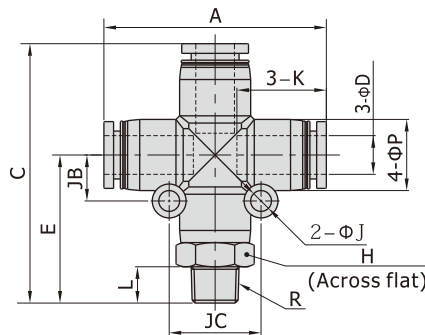
PED Series



[Unit: mm]

Model\Item	φD	R	φP	L	K	EA	EB	φJ	JB	H	Weight(g)
PED4M5-S	4	M5×0.8	9	3.5	14	17	21	3.2	6.5	9	6.5
PED401-S		PT1/8	9	7.5	14	17	25	3.2	6.5	10	8.5
PED402-S		PT1/4	9	10	14	17	28	3.2	6.5	14	14.5
PED6M5-S	6	M5×0.8	12.5	3.5	16.5	20	23.5	3.2	8	12	10.5
PED601-S		PT1/8	12.5	7.5	16.5	20	27.5	3.2	8	12	13
PED602-S		PT1/4	12.5	10	16.5	20	30.5	3.2	8	14	17.5
PED603-S		PT3/8	12.5	11	16.5	20	32	3.2	8	17	23.5
PED801-S	8	PT1/8	15	7.5	18.5	23	30.5	4.3	9.5	14	17.5
PED802-S		PT1/4	15	10	18.5	23	33	4.3	9.5	14	20
PED803-S		PT3/8	15	11	18.5	23	34.5	4.3	9.5	17	26.5
PED804-S		PT1/2	15	14	18.5	23	38.5	4.3	9.5	21	38
PED1001-S	10	PT1/8	18	7.5	21	26.5	34	4.3	11	17	25.5
PED1002-S		PT1/4	18	10	21	26.5	36.5	4.3	11	17	27.5
PED1003-S		PT3/8	18	11	21	26.5	37.5	4.3	11	17	30
PED1004-S		PT1/2	18	14	21	26.5	41.5	4.3	11	21	42.5
PED1202-S	12	PT1/4	21	10	23	30	41	4.3	13	21	47
PED1203-S		PT3/8	21	11	23	30	42	4.3	13	21	48.5
PED1204-S		PT1/2	21	14	23	30	45	4.3	13	21	54

PZB Series

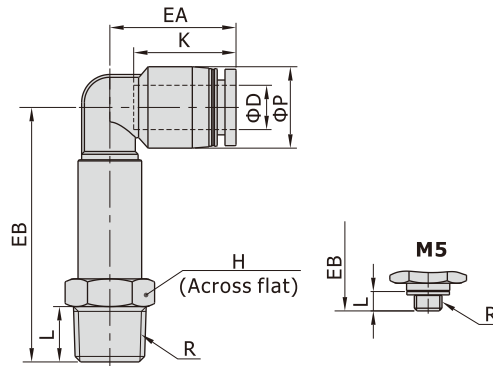


[Unit: mm]

Model\Item	φD	R	L	A	E	C	φP	K	φJ	JB	JC	H	Weight(g)
PZB601-S	6	PT1/8	7.5	39.5	27.5	47.5	12.5	16.5	3.2	8	16	12	14.5
PZB602-S		PT1/4	10		30.5	50.5						14	19.5
PZB603-S		PT3/8	11		32	52						17	25.5
PZB801-S	8	PT1/8	7.5	46	30.5	53.5	15	18.5	4.3	9.5	19	14	20
PZB802-S		PT1/4	10		33	56						14	22.5
PZB803-S		PT3/8	11		34.5	57.5						17	28
PZB804-S		PT1/2	14		38.5	61.5						21	40.5
PZB1002-S	10	PT1/4	10	52.5	36.5	63	18	21	4.3	11	22	17	32
PZB1003-S		PT3/8	11		37.5	64						17	35
PZB1004-S		PT1/2	14		41.5	68						21	46.5
PZB1203-S	12	PT3/8	11	59.5	42	72	21	23	4.3	13	26	21	53.5
PZB1204-S		PT1/2	14		45	75						21	62

One-touch fittings—threaded type

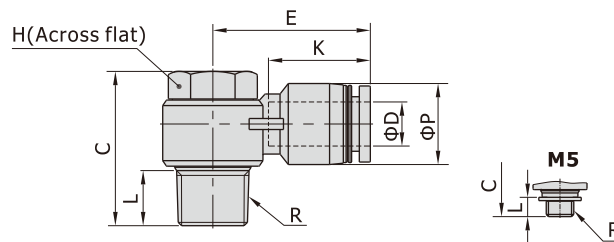
PLL Series



[Unit: mm]

Model\Item	ΦD	R	ΦP	L	K	EA	EB	H	Weight(g)
PLL4M5-S	4	M5×0.8	9	3.5	14	17	32.5	8	8
PLL401-S		PT1/8	9	7.5	14	17	35.5	10	11.5
PLL402-S		PT1/4	9	10	14	17	38.5	14	15.5
PLL6M5-S	6	M5×0.8	12.5	3.5	17	20	34.5	8	9.5
PLL601-S		PT1/8	12.5	7.5	17	20	37.5	10	12
PLL602-S		PT1/4	12.5	10	17	20	40.5	14	16.5
PLL603-S		PT3/8	12.5	11	17	20	43	17	21.5
PLL801-S	8	PT1/8	15	7.5	18.5	23	43.5	12	15.5
PLL802-S		PT1/4	15	10	18.5	23	45.5	14	21
PLL803-S		PT3/8	15	11	18.5	23	48	17	25.5
PLL1001-S	10	PT1/8	18	7.5	21	25.5	50.5	15	35
PLL1002-S		PT1/4	18	10	21	25.5	53.5	15	37.5
PLL1003-S		PT3/8	18	11	21	25.5	54.5	17	38
PLL1004-S		PT1/2	18	14	21	25.5	59	21	44
PLL1202-S	12	PT1/4	21	10	23	28.5	55.5	15	40
PLL1203-S		PT3/8	21	11	23	29.5	60	17	51.5
PLL1204-S		PT1/2	21	14	23	29.5	63	21	52.5

PH Series

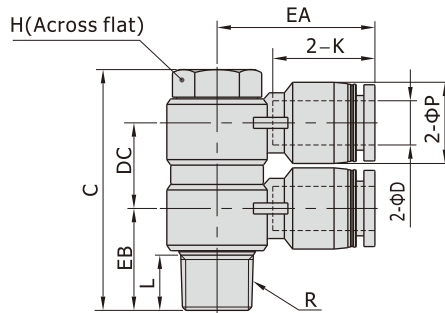


[Unit: mm]

Model\Item	ΦD	R	ΦP	L	C	K	E	H	Weight(g)
PH4M5-S	4	M5×0.8	9	3.5	17	14	19	8	5.5
PH401-S		PT1/8	9	7.5	25	14	20.5	11	12
PH6M5-S	6	M5×0.8	12.5	3.5	17	16.5	23.5	8	6.5
PH601-S		PT1/8	12.5	7.5	25	16.5	23	11	13
PH602-S		PT1/4	12.5	10	28	16.5	25	14	23.5
PH603-S		PT3/8	12.5	11	33	16.5	27	19	46.5
PH801-S	8	PT1/8	15	7.5	25	18.5	26.5	11	14
PH802-S		PT1/4	15	10	28	18.5	28.5	14	24.5
PH803-S		PT3/8	15	11	33	18.5	29.5	19	45.5
PH804-S		PT1/2	15	14	39	18.5	32	24	82
PH1002-S	10	PT1/4	18	10	28	21	31	14	26
PH1003-S		PT3/8	18	11	33	21	33	19	47.5
PH1004-S		PT1/2	18	14	39	21	35.5	24	81.5
PH1203-S	12	PT3/8	21	11	33	23	36	19	49.5
PH1204-S		PT1/2	21	14	39	23	38	24	86

One-touch fittings—threaded type

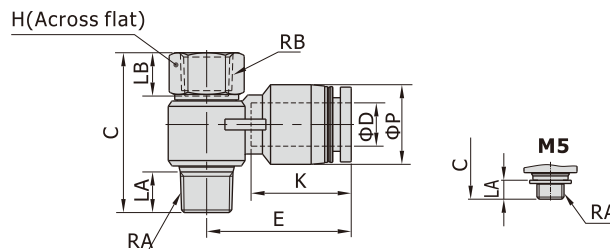
PHW Series



[Unit: mm]

Model\Item	ΦD	R	ΦP	L	C	K	EA	EB	DC	H	Weight(g)
PHW401-S	4	PT1/8	9	7.5	38	14	20.5	14.5	13	11	17.5
PHW601-S	6	PT1/8	12.5	7.5	38	16.5	23.0	15	13	11	19.5
PHW602-S		PT1/4	12.5	10	43.5	16.5	25.0	17.5	15.5	14	37.5
PHW603-S		PT3/8	12.5	11	50	16.5	27.0	20	16.5	19	64
PHW801-S	8	PT1/8	15	7.5	40.5	18.5	26.5	16.5	15.5	11	22.5
PHW802-S		PT1/4	15	10	43.5	18.5	28.5	18.5	15.5	14	38
PHW803-S		PT3/8	15	11	50	18.5	29.5	20	16.5	19	65
PHW804-S		PT1/2	15	14	61	18.5	32	24.5	22	24	133.5
PHW1002-S	10	PT1/4	18	10	46.5	21	31	20	18.5	14	44
PHW1003-S		PT3/8	18	11	55	21	33	21	22	19	81.5
PHW1004-S		PT1/2	18	14	61	21	35.5	25	22	24	127.5
PHW1203-S	12	PT3/8	21	11	55	23	36	23	22	19	80.5
PHW1204-S		PT1/2	21	14	61	23	38	26.5	22	24	137.5

PHF Series

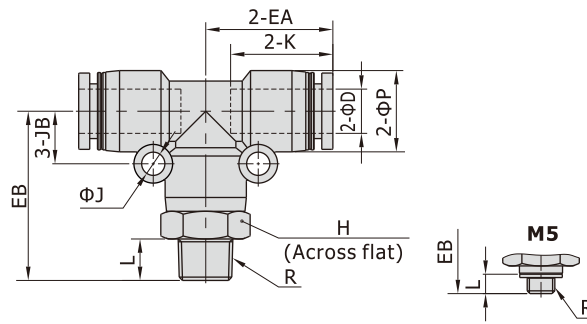


[Unit: mm]

Model\Item	ΦD	RA	RB	ΦP	LA	LB	C	K	E	H	Weight(g)
PHF4M5-S	4	M5×0.8	M5×0.8	9	3.5	6	20	14	19	8	6
PHF401-S		PT1/8	PT1/8	9	7.5	8	29.5	14	20.5	12	12
PHF6M5-S	6	M5×0.8	M5×0.8	12.5	3.5	6	20	16.5	23.5	8	7
PHF601-S		PT1/8	PT1/8	12.5	7.5	8	29.5	16.5	23	12	13
PHF602-S		PT1/4	PT1/4	12.5	10	11	35	16.5	25	17	28
PHF603-S		PT3/8	PT3/8	12.5	11	12	40	16.5	27	19	41
PHF801-S	8	PT1/8	PT1/8	15	7.5	8	29.5	18.5	26.5	12	14
PHF802-S		PT1/4	PT1/4	15	10	11	35	18.5	28.5	17	28.5
PHF803-S		PT3/8	PT3/8	15	11	12	40	18.5	29.5	19	41.5
PHF804-S		PT1/2	PT1/2	15	14	13.5	47.5	18.5	32	24	78
PHF1002-S	10	PT1/4	PT1/4	18	10	11	35	21	31	17	30
PHF1003-S		PT3/8	PT3/8	18	11	12	40	21	33	19	43
PHF1004-S		PT1/2	PT1/2	18	14	13.5	47.5	21	35.5	24	79.5
PHF1203-S	12	PT3/8	PT3/8	21	11	12	40	23	36	19	45
PHF1204-S		PT1/2	PT1/2	21	14	13.5	47.5	23	38	24	83

One-touch fittings—threaded type

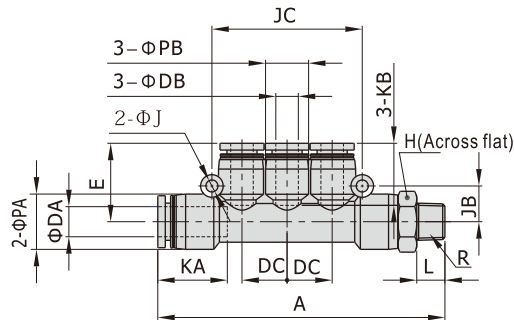
PEB Series



[Unit: mm]

Model\Item	φD	R	φP	L	K	EA	EB	φJ	JB	H	Weight(g)
PEB4M5-S	4	M5×0.8	9	3.5	14	17	21	3.2	6.5	9	6.5
PEB401-S		PT1/8	9	7.5	14	17	25	3.2	6.5	10	8.5
PEB402-S		PT1/4	9	10	14	17	28	3.2	6.5	14	14.5
PEB6M5-S	6	M5×0.8	12.5	3.5	16.5	20	23.5	3.2	8	12	10.5
PEB601-S		PT1/8	12.5	7.5	16.5	20	27.5	3.2	8	12	13
PEB602-S		PT1/4	12.5	10	16.5	20	30.5	3.2	8	14	17.5
PEB603-S	8	PT3/8	12.5	11	16.5	20	32	3.2	8	17	23.5
PEB801-S		PT1/8	15	7.5	18.5	23	30.5	4.3	9.5	14	17.5
PEB802-S		PT1/4	15	10	18.5	23	33	4.3	9.5	14	20
PEB803-S		PT3/8	15	11	18.5	23	34.5	4.3	9.5	17	26.5
PEB804-S	10	PT1/2	15	14	18.5	23	38.5	4.3	9.5	21	38
PEB1001-S		PT1/8	18	7.5	21	26.5	34	4.3	11	17	25.5
PEB1002-S		PT1/4	18	10	21	26.5	36.5	4.3	11	17	27.5
PEB1003-S		PT3/8	18	11	21	26.5	37.5	4.3	11	17	30
PEB1004-S	12	PT1/2	18	14	21	26.5	41.5	4.3	11	21	42.5
PEB1202-S		PT1/4	21	10	23	30	41	4.3	13	21	47
PEB1203-S		PT3/8	21	11	23	30	42	4.3	13	21	48.5
PEB1204-S		PT1/2	21	14	23	30	45	4.3	13	21	54

PKD Series



[Unit: mm]

Model\Item	φDA	φDB	R	L	A	φPA	φPB	KA	KB	φJ	JB	JC	DC	E	H	Weight(g)
PKD6-401-S	6	4	PT1/8	7.5	66.5	12.5	9	16.5	14	3.2	8	34	10	17.5	12	15
PKD8-602-S	8	6	PT1/4	10	79	15	12.5	18.5	16.5	3.2	9.5	40	12	21	14	25.5
PKD10-803-S	10	8	PT3/8	11	91.5	18	15	21	18.5	4.3	11	48	14.5	24	17	36.5