

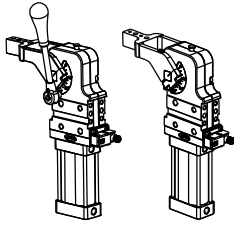


Power clamp cylinder—JSCK Series

Compendium of JSCK Series

4 Arm styles are available

4 Arm styles AM1, AM2, AM3 and AM4 each with 3 specifications R, C and L for uses in different situations.



Manual type Standard type

Standard and Manual type are available

4 sides are to be mounted

With dimensions subject to DIN standard.

Designed as a whole

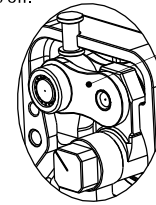
Mechanism and cylinder designed as a whole.

Oval-shaped cylinder which is space efficient

Rod-crank-slider structure

Rod-crank-slider structure made of high-strength, highly-wear-resisting material is adopted.

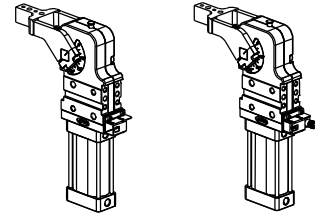
- a) Stable and reliable structure which can produce large clamping force at low working pressure.
- b) Self-lock mechanism is adopted at clamping position which can still provide clamping force even after compressed air is off.



Rod-crank-slider structure

Electrical or Air inductive approaching sensor

No sensor



Electrical Inductive approaching sensor (PNP/NPN type to be chosen)

Fixed opening angle

9 opening angles are optional by changing the barrel length; The smaller the opening angle, the shorter the barrel.

Application



Power clamp cylinder

JSKC Series—Standard type



Specification



Model	JSKC40	JSKC50	JSKC63	JSKC80
Output torque (0.5MPa)	120N.m	160N.m	380N.m	800N.m
Acting type	Double acting			
Fluid	Air(to be filtered by 40μm filter element)			
Operating pressure	0.3~0.8MPa(43~116psi)			
Proof pressure	1.2MPa(175psi)			
Temperature	-20~70 °C			
Opening angle	15°/30°/45°/60°/75°/90°/105°/120°/135°			
Minimum opening and closure time	1 second clamping, 1 second opening			
Position sensing	Electrical approaching sensor			
Cushion type	Air buffer			
Weight (135°) [Note1]	2.0kg	3.7kg	5.0kg	12.0kg
Port size [Note2]	1/8"		1/4"	

[Note1] This weight includes 15mm offset clamping arm;

[Note2] G thread is available.

Ordering code

JSKC □ 50 × 135 AM1R K G □

① ② ③ ④ ⑤ ⑥ ⑦ ⑧

① Model	② Clamping arm position	③ Bore size	④ Opening angle	⑤ Clamping arm [Note2]	⑥ Sensor switch[Note3]	⑦ Thread type	⑧ Port				
JSCK: Power clamp cylinder (Double acting)	Blank: horizontal	40(circular)	15 30 45 60 75 90 105 120 135 [Note1]	Blank: No clamping arm	Blank: No sensor switch	G: G	Blank				
	V: Vertical			AM1: Offset 15mm			R C L	B			
				AM3: Offset 45mm			R C L	Port			
				AM2: Offset 15mm			R C L	Port			
	V: Vertical			50(oval) 63(oval) 80(oval)			15 30 45 60 75 90 105 120 135 [Note1]	Blank: No clamping arm	K: With electrical sensor switch (PNP) KN: With electrical sensor switch (NPN)	G: G	Blank
								AM1: Offset 15mm			R C L
		AM3: Offset 45mm	R C L		Port						
		AM4: Offset 45mm	R C L		Port						
		AM1: Offset 15mm	R C L		Port						
		AM3: Offset 45mm	R C L		Port						

[Note1] Please refer to the right table for details of max. opening angle.

[Note2] Please refer to the drawing for detailed dimensions of clamping arm. Clamping arm AM1 and AM2 for 80 offset 20mm.

[Note3] K/KN type sensor switch can be ordered separately and please refer to relative contents.

Bore size	Arm position	Arm type	Maximum opening angle	Bore size	Arm position	Arm type	Maximum opening angle
40	horizontal	AM1	135°	50 63 80	horizontal	AM1, AM3	135°
		AM3	105°			AM2, AM4	
	Vertical(V)	AM1	120°		Vertical(V)	AM1, AM3	105°
		AM3	105°			AM2, AM4	

Weight Comparison with JCK series

Opening angle	40			50			63			80		
	JSKC	JCK	Weight reduction	JSKC	JCK	Weight reduction	JSKC	JCK	Weight reduction	JSKC	JCK	Weight reduction
15°	1.54	1.71	9.9%	2.61	3.36	22.3%	3.64	4.84	24.8%	8.87	11.30	21.5%
30°	1.53	1.70	10.0%	2.63	3.34	21.3%	3.68	4.80	23.3%	8.99	11.22	19.9%
45°	1.48	1.70	12.9%	2.65	3.32	20.2%	3.72	4.77	22.0%	9.08	11.16	18.6%
60°	1.49	1.70	12.4%	2.67	3.30	19.1%	3.76	4.74	20.7%	9.18	11.11	17.4%
75°	1.50	1.69	11.2%	2.70	3.27	17.4%	3.80	4.71	19.3%	9.27	11.09	16.4%
90°	1.51	1.69	10.7%	2.71	3.25	16.6%	3.83	4.68	18.2%	9.36	10.99	14.8%
105°	1.52	1.68	9.5%	2.74	3.23	15.2%	3.87	4.65	16.8%	9.46	10.93	13.4%
120°	1.53	1.68	8.9%	2.75	3.21	14.3%	3.90	4.62	15.6%	9.53	10.88	12.4%
135°	1.54	1.67	7.8%	2.77	3.20	13.4%	3.93	4.57	14.0%	9.59	10.84	11.5%

[Note] The above weight does not include the weight of the clamping arm. (Unit: kg)



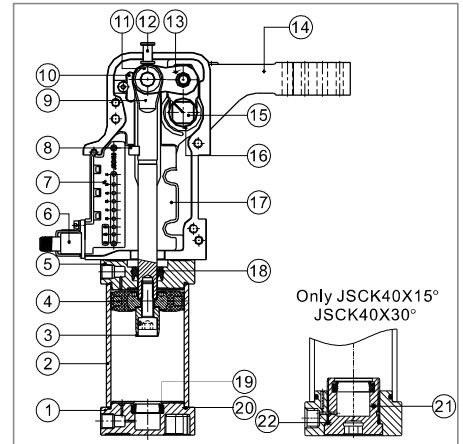
Power clamp cylinder

JSKC Series—Standard type

Inner structure and material of major parts

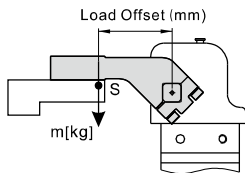
NO.	Item	Material	NO.	Item	Material
1	Back cover	Aluminum alloy	12	Retaining pin	Carbon steel
2	Aluminum barrel	Aluminum alloy	13	Connecting rod	Carbon steel
3	Cushion body	Aluminum alloy	14	Clamping arm	Carbon steel
4	Piston	Aluminum alloy+NBR	15	Pivot	Alloy steel
5	Front cover	Aluminum alloy	16	Bushing	Alloy steel
6	Sensor switch		17	End cap	Aluminum alloy
7	Sensor switch fix	Plastic	18	Spool O-ring	TPU
8	Inductive block	Carbon steel	19	Cushing O-ring	TPU
9	I Knuckle	Alloy steel	20	O-ring	NBR
10	Strengthen steel plate	Alloy steel	21	Cush controlled screw	Aluminum alloy
11	Bushing	Alloy steel	22	O-ring	NBR

Note: inner structure & material data sheet is based on certain bore size.
Please contact AirTAC if you need inner structure & material data sheet for specific bore size.



How to select product

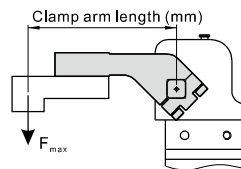
1. Please design appropriate fixture according to "Allowable Arm Load-Load Offset curve" diagram.



Bore size	Maximum load torque	
	1 second period	2 second period
40	2.2Nm	3.3Nm
50	4.5Nm	6.7Nm
63	6.0Nm	9.0Nm
80	8.0Nm	11.2Nm

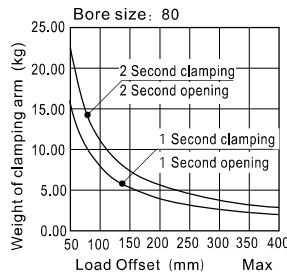
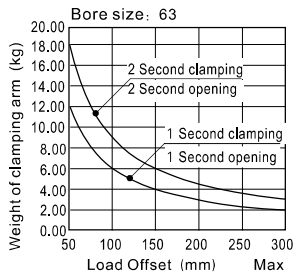
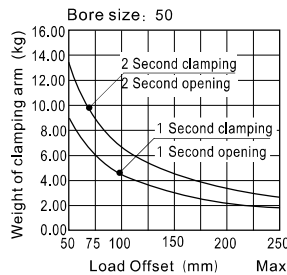
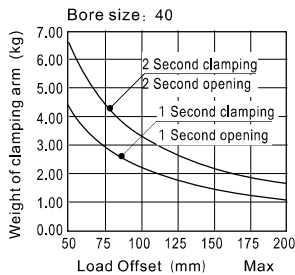
S: distance from pivot point to center of mass of clamping arm
m: weight of clamping arm

2. Please choose appropriate clamping position according to "Torque-Clamping Arm Length curve" diagram.



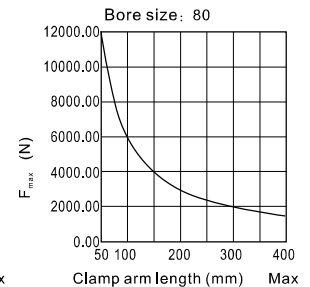
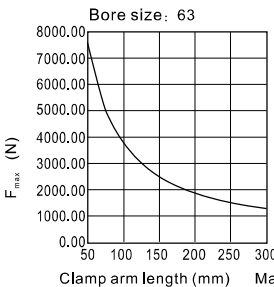
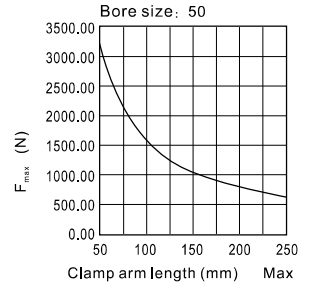
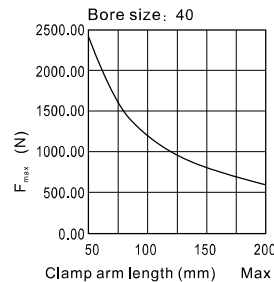
Note: For clamping force is produced by elbow mechanism, maximum torque is only reached at final clamping arm position.

Bore size	Maximum holder torque
40	380Nm
50	800Nm
63	1500Nm
80	2500Nm



Attention: Please use with speed control valve.

Bore size	Maximum clamp torque					
	0.3MPa	0.4MPa	0.5MPa	0.6MPa	0.7MPa	0.8MPa
40	72Nm	95Nm	120Nm	143Nm	167Nm	191Nm
50	99Nm	132Nm	165Nm	198Nm	230Nm	264Nm
63	230Nm	307Nm	384Nm	460Nm	537Nm	614Nm
80	482Nm	643Nm	803Nm	964Nm	1124Nm	1285Nm



Power clamp cylinder

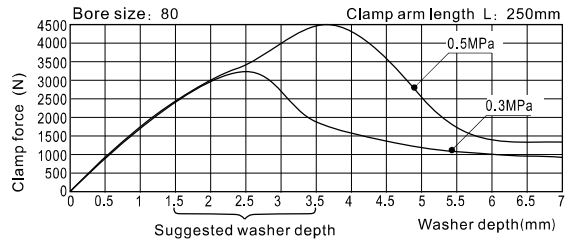
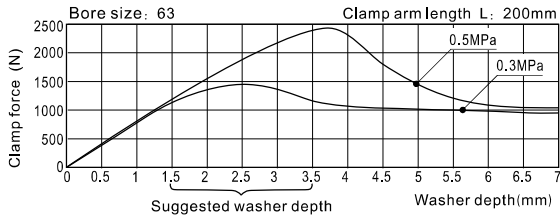
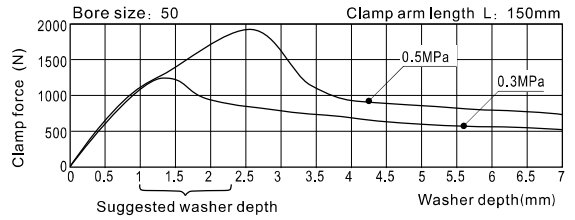
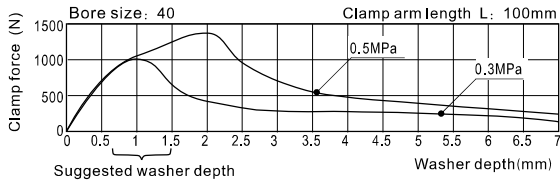
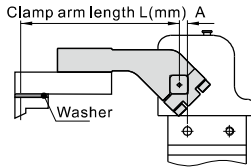
JSKC Series—Standard type

3. Please choose appropriate washer according to "Torque-Spacer thickness curve" diagram.

Note: Inserted washer exceeding maximum clamping torque position may lead to self-lock failure. Take safety issue into account when considering thickness of spacer inserted.

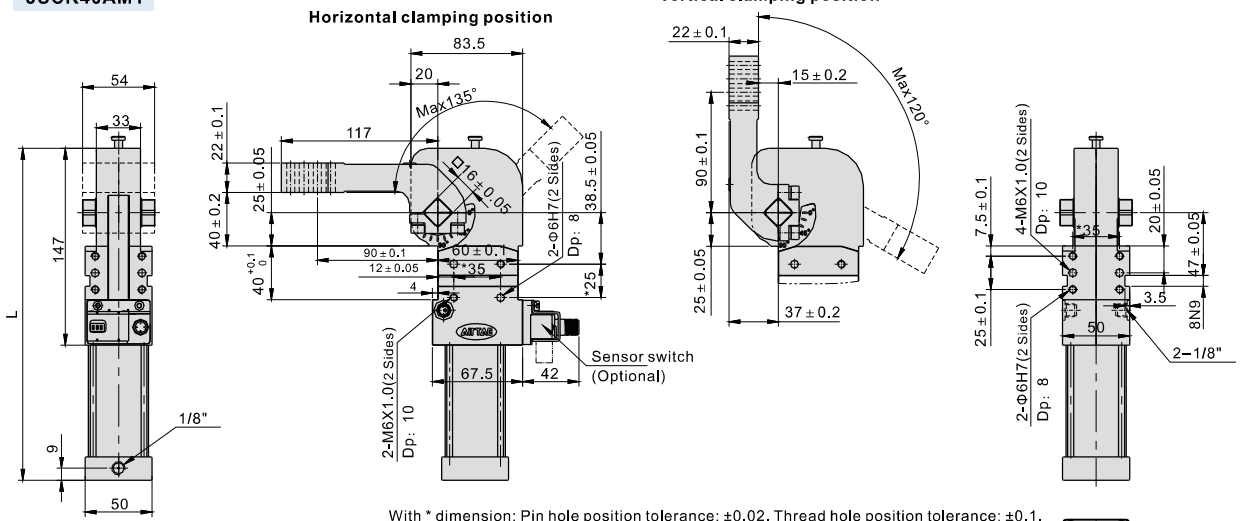
Besides, clamping arm length L represents distance from pivot point to clamping position. For distance from mounting base locating hole to pivot A , please refer to the following table.

Bore size	A(mm)
40	12
50	10
63	10
80	15



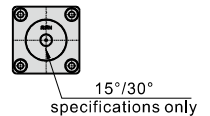
Dimensions

JSKC40AM1



With * dimension: Pin hole position tolerance: ± 0.02 . Thread hole position tolerance: ± 0.1 .

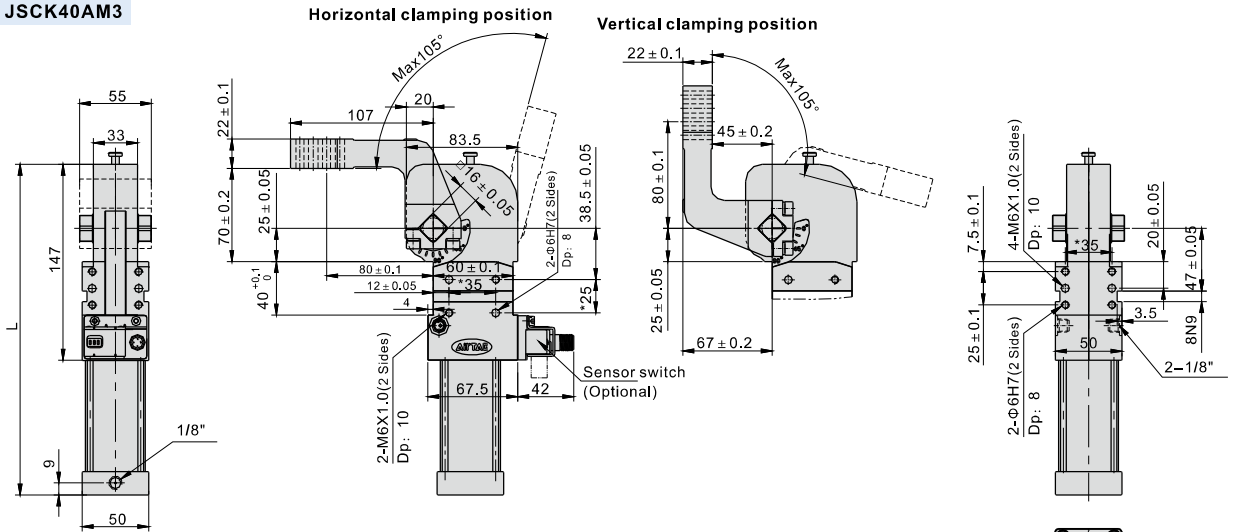
Maximum opening angle	Total length of cylinder(L)	Maximum opening angle	Total length of cylinder(L)
15°	211	90°	231
30°	211	105°	238
45°	211	120°	244
60°	218	135°	248
75°	224.5		



Power clamp cylinder

JSKC Series—Standard type

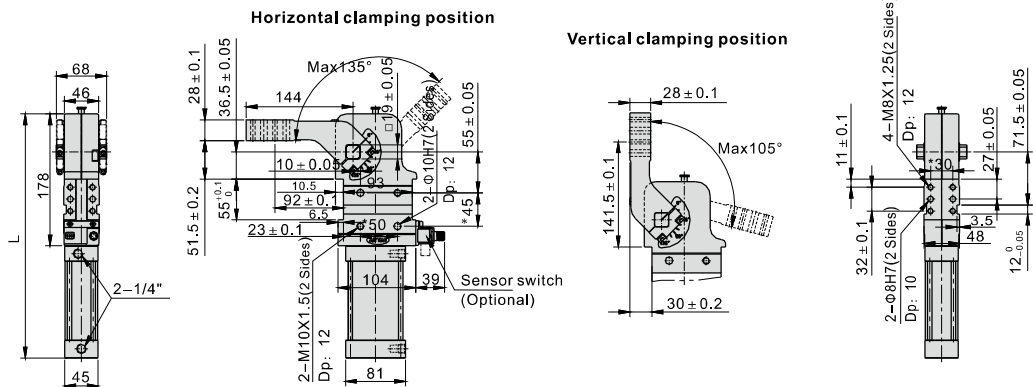
JSKC40AM3



With * dimension: Pin hole position tolerance: ± 0.02 . Thread hole position tolerance: ± 0.1 .

Maximum opening angle	Total length of cylinder(L)	Maximum opening angle	Total length of cylinder(L)
15°	211	90°	231
30°	211	105°	238
45°	211	120°	244
60°	218	135°	248
75°	224.5		

JSKC50AM1(2)



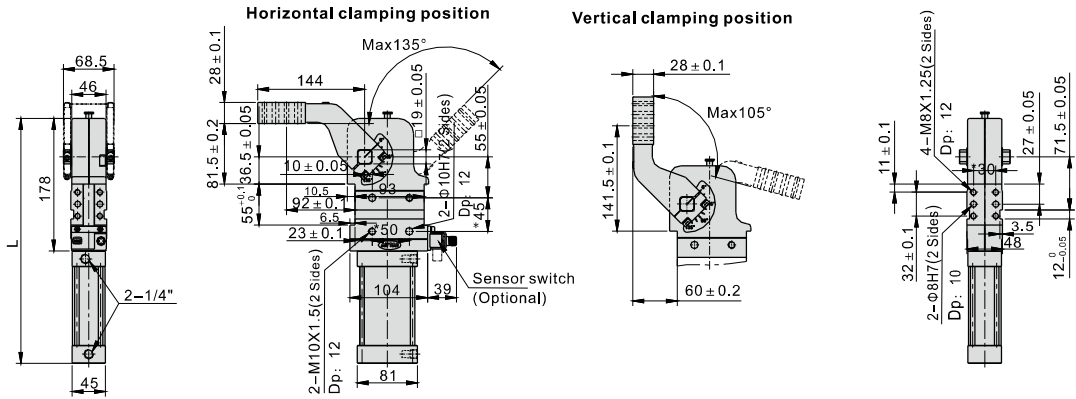
With * dimension: Pin hole position tolerance: ± 0.02 . Thread hole position tolerance: ± 0.1 .

Maximum opening angle	Total length of cylinder(L)	Maximum opening angle	Total length of cylinder(L)
15°	273.5	90°	311
30°	282	105°	318
45°	289	120°	324.5
60°	296.5	135°	329
75°	303.5		

Power clamp cylinder

JSCK Series—Standard type

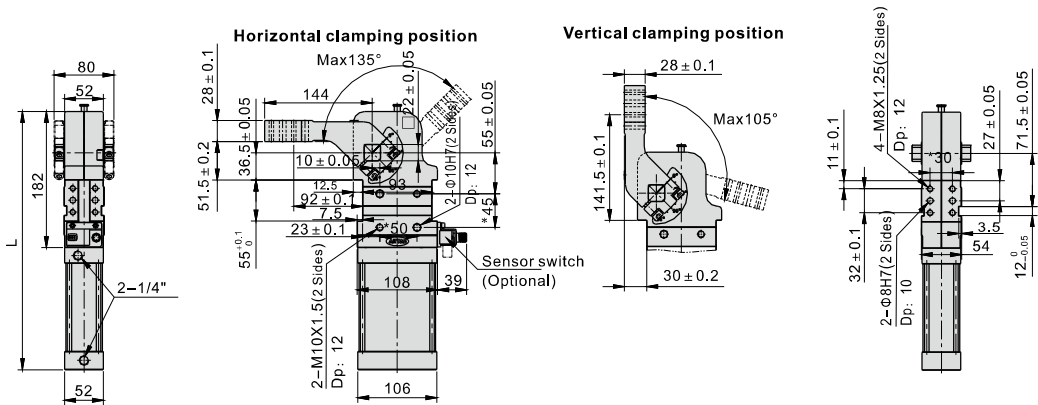
JSCK50AM3(4)



With * dimension: Pin hole position tolerance: ± 0.02 . Thread hole position tolerance: ± 0.1 .

Maximum opening angle	Total length of cylinder(L)	Maximum opening angle	Total length of cylinder(L)
15°	273.5	90°	311
30°	282	105°	318
45°	289	120°	324.5
60°	296.5	135°	329
75°	303.5		

JSCK63AM1(2)



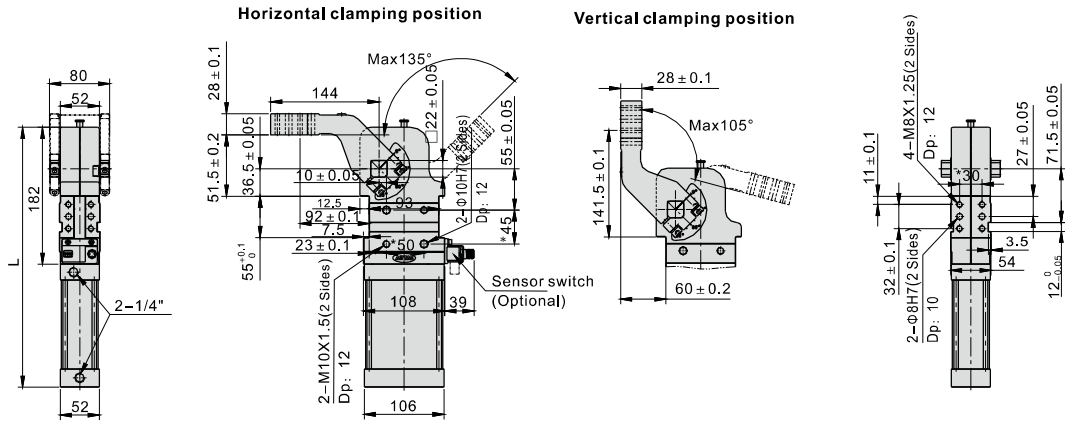
With * dimension: Pin hole position tolerance: ± 0.02 . Thread hole position tolerance: ± 0.1 .

Maximum opening angle	Total length of cylinder(L)	Maximum opening angle	Total length of cylinder(L)
15°	283	90°	325
30°	293	105°	333
45°	301	120°	340
60°	309	135°	345.5
75°	317		

Power clamp cylinder

JSKC Series—Standard type

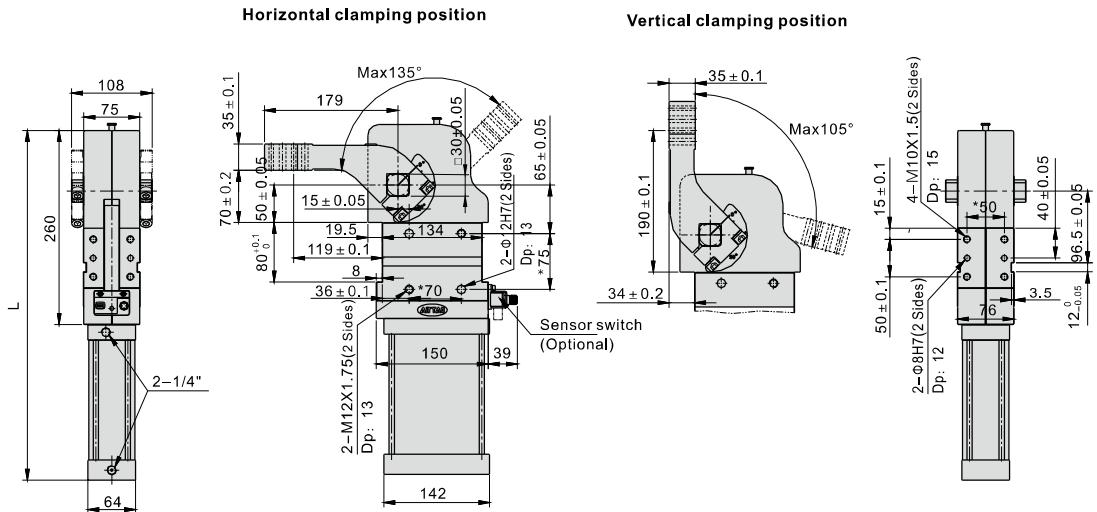
JSKC63AM3(4)



With * dimension: Pin hole position tolerance: ± 0.02 . Thread hole position tolerance: ± 0.1 .

Maximum opening angle	Total length of cylinder(L)	Maximum opening angle	Total length of cylinder(L)
15°	283	90°	325
30°	293	105°	333
45°	301	120°	340
60°	309	135°	345.5
75°	317		

JSKC80AM1(2)



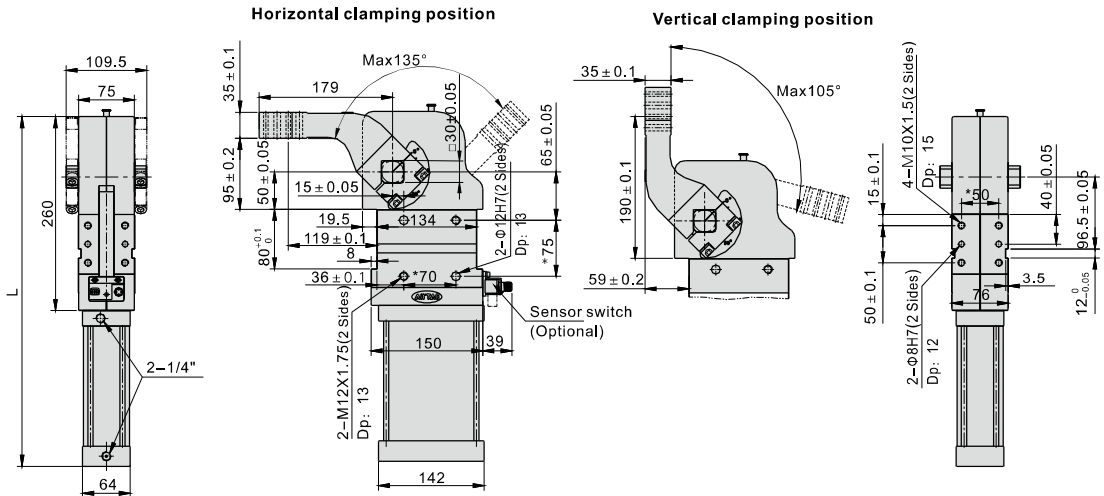
With * dimension: Pin hole position tolerance: ± 0.02 . Thread hole position tolerance: ± 0.1 .

Maximum opening angle	Total length of cylinder(L)	Maximum opening angle	Total length of cylinder(L)
15°	378.5	90°	440.5
30°	393	105°	452
45°	405	120°	462
60°	417	135°	469
75°	429		

Power clamp cylinder

JSKC Series—Standard type

JSCK80AM3(4)



With * dimension: Pin hole position tolerance: ± 0.02 . Thread hole position tolerance: ± 0.1 .

Maximum opening angle	Total length of cylinder(L)	Maximum opening angle	Total length of cylinder(L)
15°	378.5	90°	440.5
30°	393	105°	452
45°	405	120°	462
60°	417	135°	469
75°	429		

Power clamp cylinder

JSKC Series—Manual type



Specification

Model	JSKC40	JSKC50	JSKC6380
Output torque (0.5MPa)	120N.m	160N.m	380N.m
Acting type	Double acting		
Fluid	Air(to be filtered by 40μm filter element)		
Operating pressure	0.3~0.8MPa(43~116psi)		
Proof pressure	1.2MPa(175psi)		
Temperature	-20~70 °C		
Opening angle	15°/30°/45°/60°/75°/90°/105°/120°		
Minimum opening and closure time	1 second clamping, 1 second opening		
Position sensing	Electrical approaching sensor		
Cushion type	Air buffer		
Weight (120°) [Note1]	2.4kg	4.2kg	5.5kg
Port size [Note2]	1/8"		1/4"

[Note1] This weight includes 15mm offset clamping arm;

[Note2] G thread is available.

Ordering code

JSKC □ 50X120 AM1R HL K G □

① ② ③ ④ ⑤ ⑥ ⑦ ⑧ ⑨

① Model	② Clamping arm position	③ Bore size	④ Opening angle	⑤ Clamping arm [Note2]	⑥ Handle location	⑦ Sensor switch	⑧ Thread type	⑨ Port
JSKC: Power clamp cylinder (Double acting)	Blank: horizontal 	40 (circular)	15 30 45 60 75 90 105 120 [Note1]	Blank: No clamping arm R C L	Blank: non-manual HL: handle on the left 	Blank: No sensor switch	G: G	Blank B
	V: Vertical 			AM1: Offset 15mm Φ6 Φ7 R C L				AM3: Offset 45mm R C L
				Blank: No clamping arm R C L	HR: handle on the right 	K: With electrical sensor switch (PNP) KN: With electrical sensor switch (NPN) [Note3]		Blank B
				AM2: Offset 15mm Φ8 Φ10.2 R C L				AM4: Offset 45mm R C L

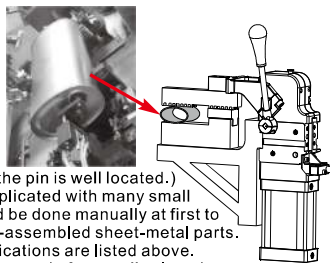
[Note1] Please refer to the right table for details of max. opening angle.

[Note2] K/KN type sensor switch can be ordered separately and please refer to relative contents.

Bore size	Arm position	Arm type	Maximum opening angle	Bore size	Arm position	Arm type	Maximum opening angle
40	horizontal	AM1	105°	50	horizontal	AM1, AM3	120°
	Vertical(V)	AM3			Vertical(V)	AM2, AM4	105°

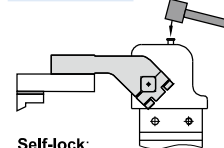
Examples for using

- When the clamped plate is hollow and thin, the final clamping position should be reached manually at low speed before clamping with force to avoid scallops left by fast clamping.
 - When clamping forearm has a locating pin, it should be pushed out of the locating hole manually. (Clamping should be done before the pin is well located.)
 - When clamping mechanism is complicated with many small sheet-metal parts, clamping should be done manually at first to avoid compressed air flushing well-assembled sheet-metal parts.
- Note: Part of manually clamping applications are listed above. Other welding process may be in need of manually clamping.



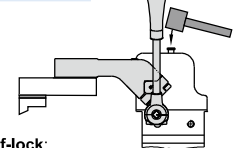
Contrast of self-lock and unlock

Standard type



- Self-lock:**
1. By inletting compressed air.
- Unlock:**
1. By inletting compressed air.
2. By knocking retaining pin.

Manual type



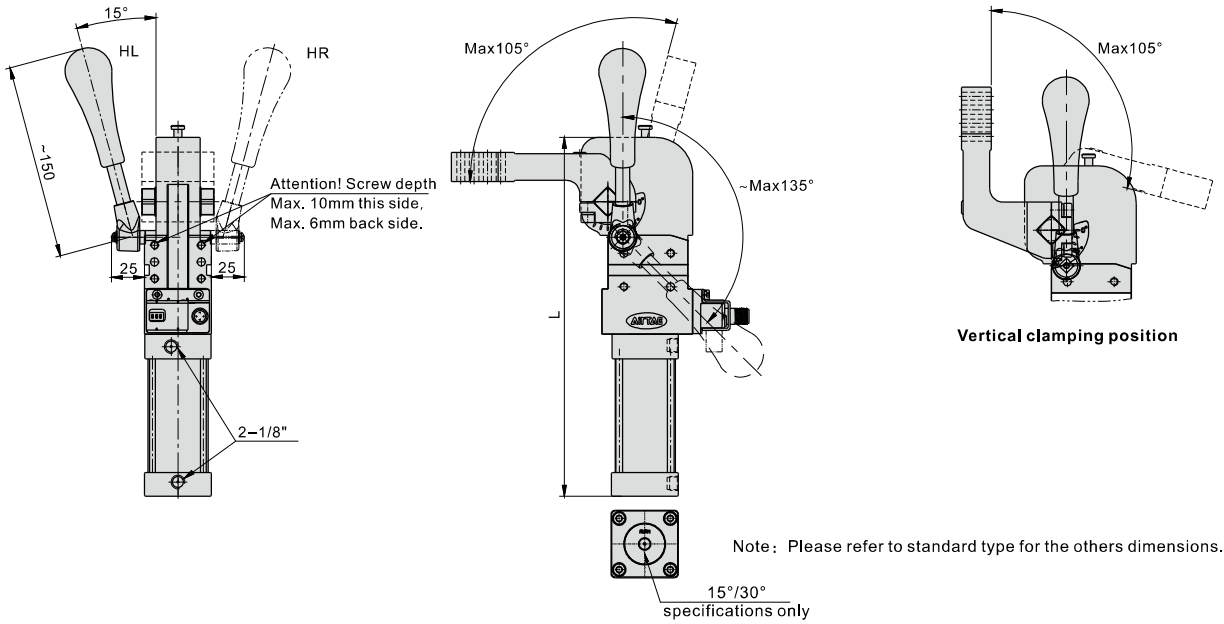
- Self-lock:**
1. By inletting compressed air.
2. By handle.
- Unlock:**
1. By inletting compressed air.
2. By knocking retaining pin.
3. By handle.

Power clamp cylinder

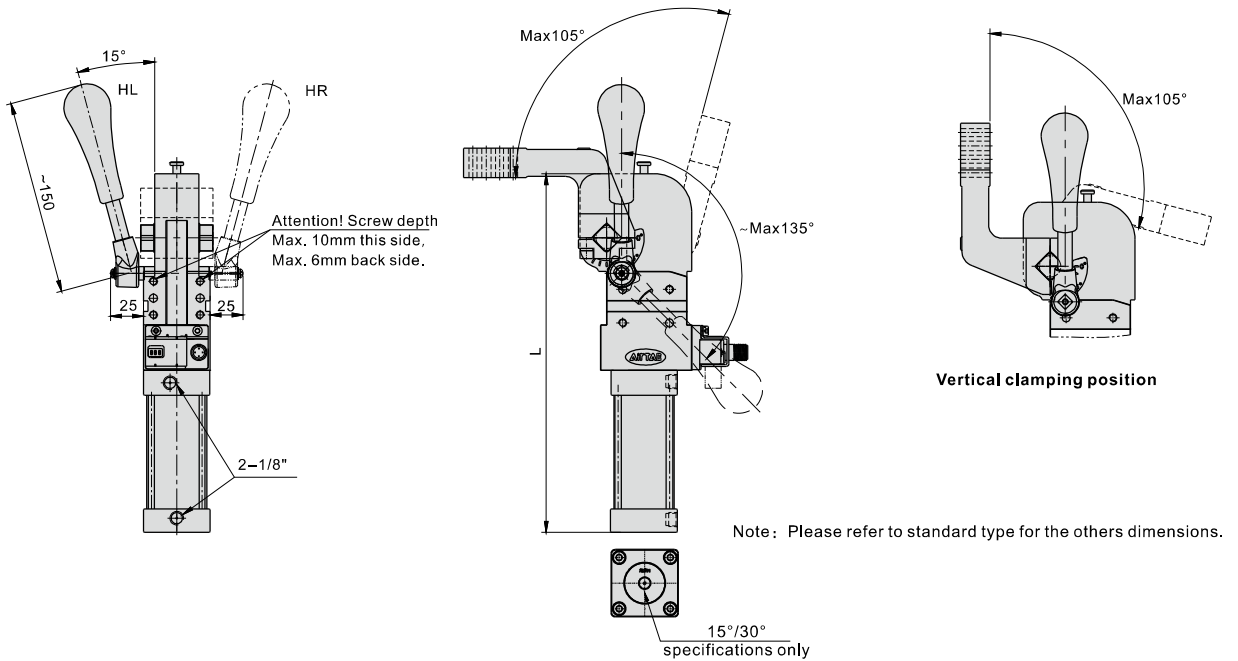
JSKC Series—Manual type

Dimensions

JSKC40AM1HL(HR)



JSKC40AM3HL(HR)

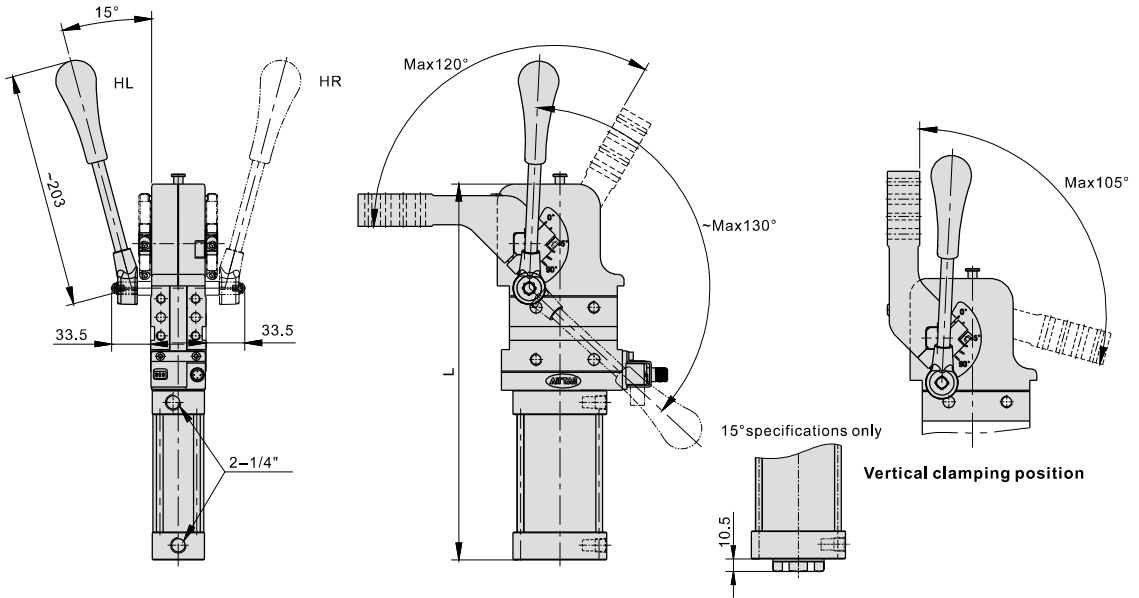


Maximum opening angle	Total length of cylinder(L)	Maximum opening angle	Total length of cylinder(L)
15°	241	75°	254.5
30°	241	90°	261
45°	241	105°	268
60°	248		

Power clamp cylinder

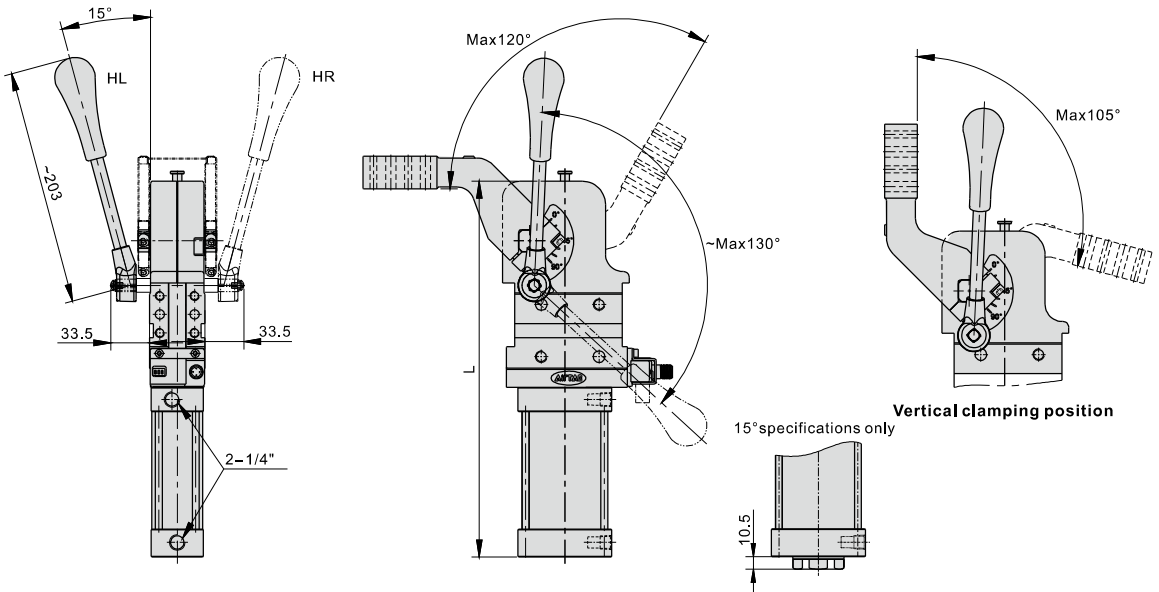
JSKC Series—Manual type

JSCK50AM1(2)HL(HR)



Note: Please refer to standard type for the others dimensions.

JSCK50AM3(4)HL(HR)



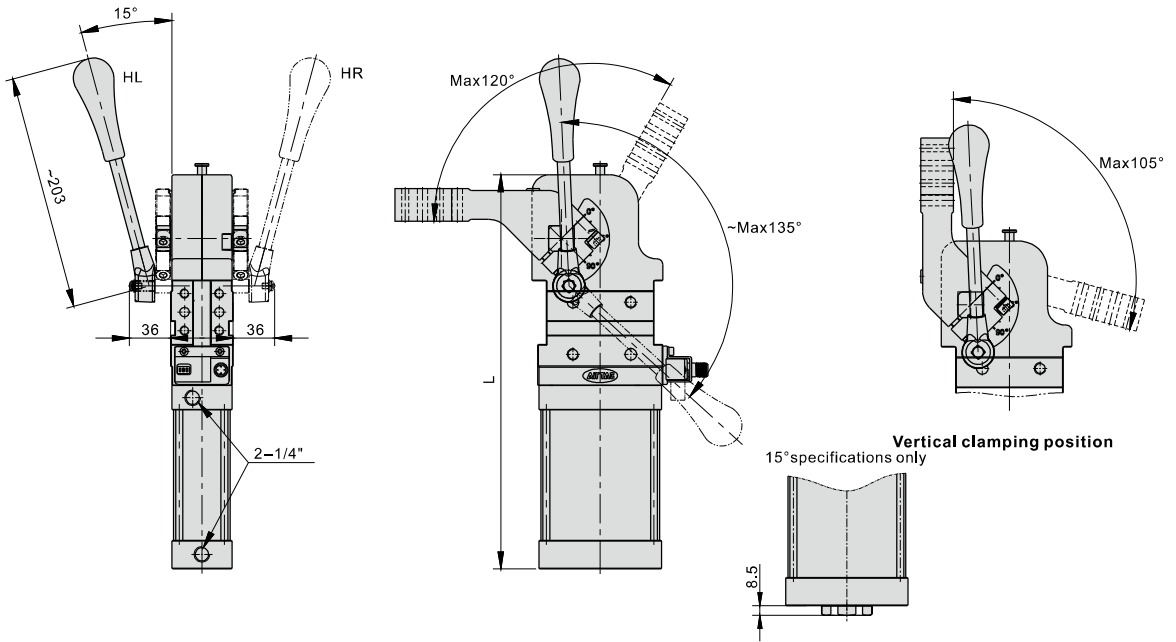
Note: Please refer to standard type for the others dimensions.

Maximum opening angle	Total length of cylinder(L)	Maximum opening angle	Total length of cylinder(L)
15°	289	75°	303.5
30°	282	90°	311
45°	289	105°	318
60°	296.5	120°	324.5

Power clamp cylinder

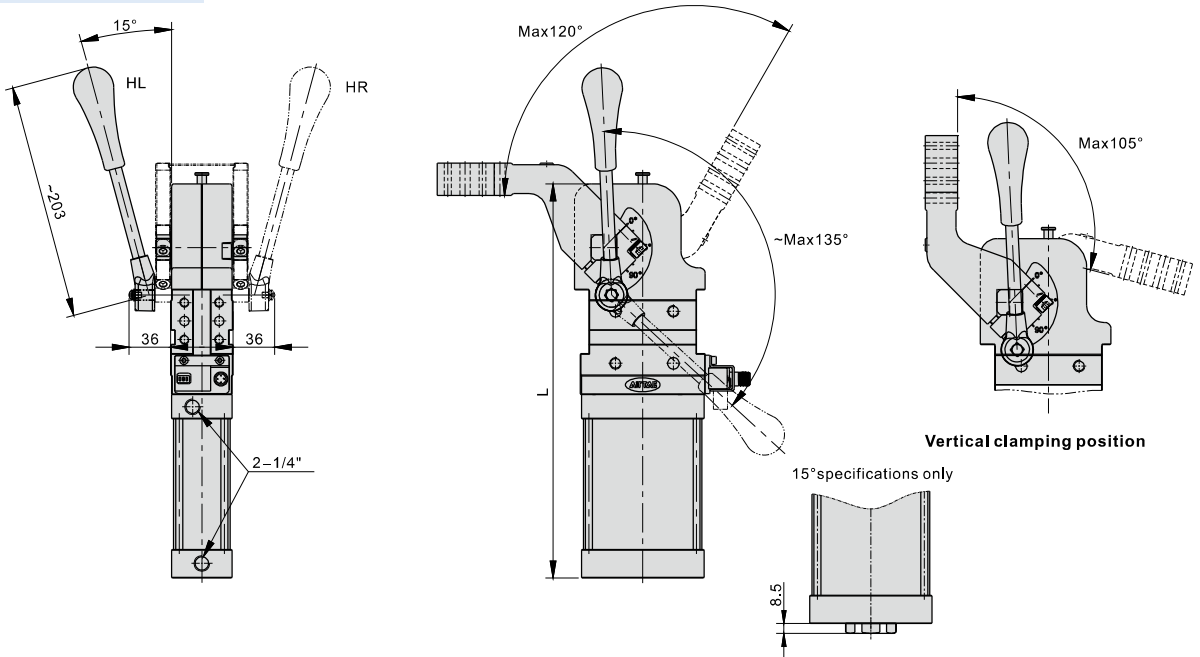
JSKC Series—Manual type

JSKC63AM1(2)HL(HR)



Note: Please refer to standard type for the others dimensions.

JSKC63AM3(4)HL(HR)



Note: Please refer to standard type for the others dimensions.

Maximum opening angle	Total length of cylinder(L)	Maximum opening angle	Total length of cylinder(L)
15°	301	75°	317
30°	293	90°	325
45°	301	105°	333
60°	309	120°	340

Power clamp cylinder

JSCK Series—Clamp arm



How to select clamp arm

Accessories\Cylinder type		JSCK40	JSCK50	JSCK63	JSCK80
F-JCK□□AM1R	F-JCK□□AM3R	●	●	●	●
F-JCK□□AM1C	F-JCK□□AM3C	●	●	●	●
F-JCK□□AM1L	F-JCK□□AM3L	●	●	●	●
F-JCK□□AM2R	F-JCK□□AM4R		●	●	●
F-JCK□□AM2C	F-JCK□□AM4C		●	●	●
F-JCK□□AM2L	F-JCK□□AM4L		●	●	●

Clamp arm ordering code

F-JCK 63 AM1C

① ② ③ ④

① Accessory code	② Cylinder type	③ Bore size	④ Clamping arm							
	Power clamp cylinder (Double acting)	40: Φ 40mm	Blank: No clamping arm							
			AM1: Offset 15mm	<table border="1"> <tr> <td>R</td> <td>C</td> <td>L</td> </tr> <tr> <td></td> <td></td> <td></td> </tr> </table>	R	C	L			
R			C	L						
		AM3: Offset 45mm	<table border="1"> <tr> <td>R</td> <td>C</td> <td>L</td> </tr> <tr> <td></td> <td></td> <td></td> </tr> </table>	R	C	L				
R		C	L							
		Blank: No clamping arm								
	50: Φ 50mm 63: Φ 63mm 80: Φ 80mm	AM1: Offset 15mm	<table border="1"> <tr> <td>R</td> <td>C</td> <td>L</td> </tr> <tr> <td></td> <td></td> <td></td> </tr> </table>	R	C	L				
R		C	L							
		AM3: Offset 45mm	<table border="1"> <tr> <td>R</td> <td>C</td> <td>L</td> </tr> <tr> <td></td> <td></td> <td></td> </tr> </table>	R	C	L				
R	C	L								
	AM2: Offset 15mm	<table border="1"> <tr> <td>R</td> <td>C</td> <td>L</td> </tr> <tr> <td></td> <td></td> <td></td> </tr> </table>	R	C	L					
R	C	L								
	AM4: Offset 45mm	<table border="1"> <tr> <td>R</td> <td>C</td> <td>L</td> </tr> <tr> <td></td> <td></td> <td></td> </tr> </table>	R	C	L					
R	C	L								

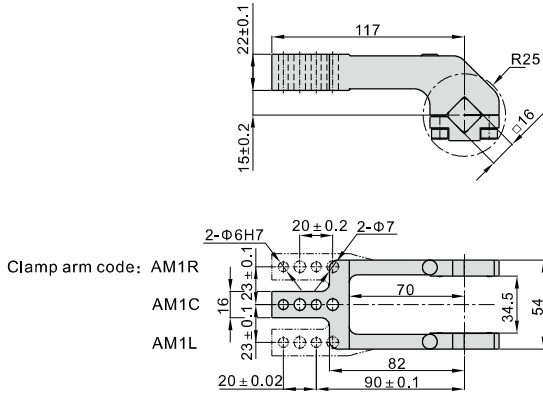
[Note2] Please refer to the drawing for detailed dimensions of clamping arm. Clamping arm AM1 and AM2 for 80 offset 20mm.

Power clamp cylinder

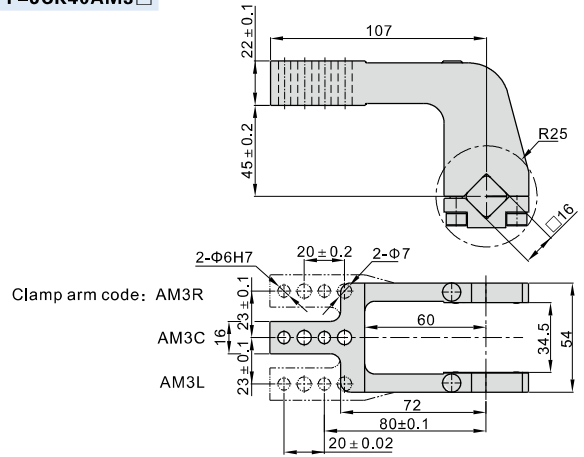
JSKC Series—Clamp arm

Dimensions of clamp arm

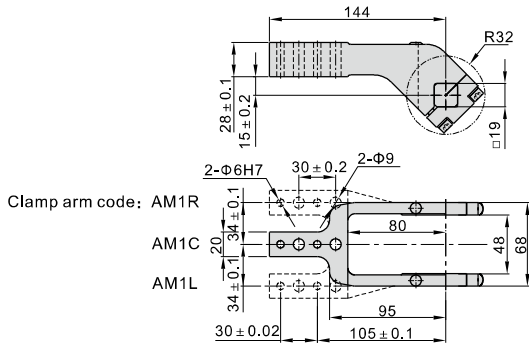
F-JCK40AM1



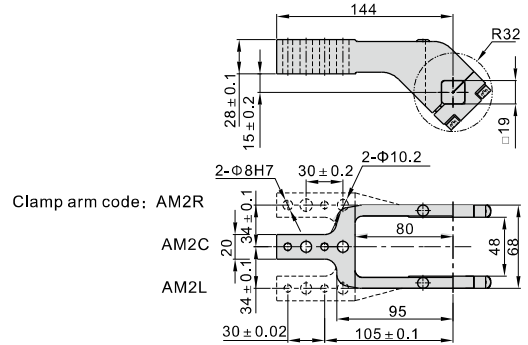
F-JCK40AM3



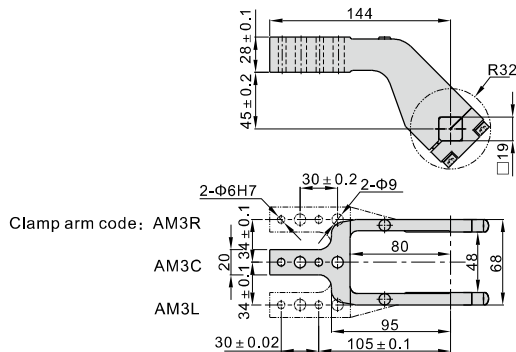
F-JCK50AM1



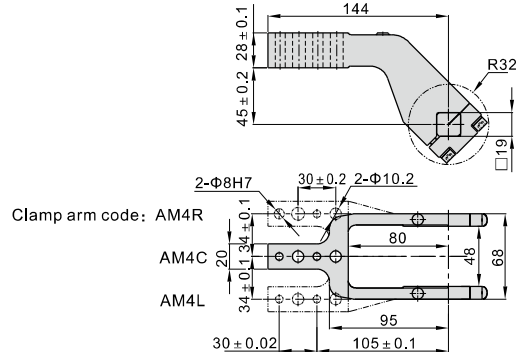
F-JCK50AM2



F-JCK50AM3



F-JCK50AM4



Power clamp cylinder

JSKC Series—Sensor switch



Specification

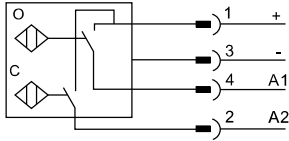
Operating range	2mm
Voltage range	10~30V DC
Output type	N.O., PNP, NPN
Rated DC	150mA(max)
Switch frequency	30Hz
Shell material	PBT
Switch status indication	Clamping:Red Operating:Yellow
Voltage indication	Green

Ordering code

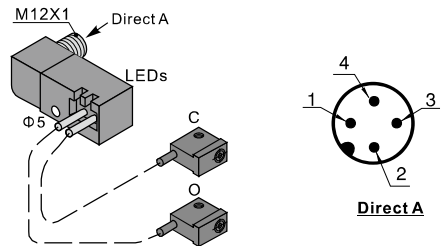
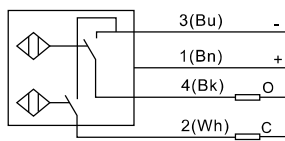
DS1 KP 63		
① Model	② Output type	③ Bore size
DS1:Sensor switch	KP: PNP KN: NPN	63(Bore size: 40、50、63) 80(Bore size: 80)

Hookup

PNP



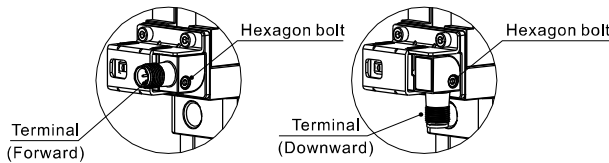
NPN



Installation and application of sensor switch

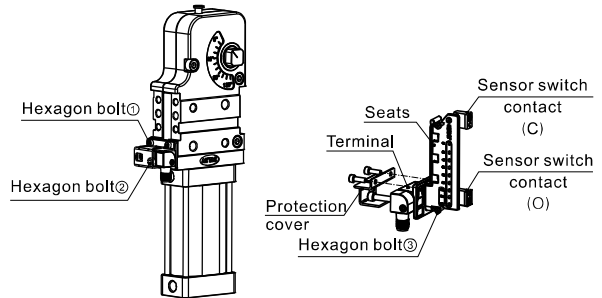
1. Sensor switch is well assembled before leaving factory which is free of adjusting. If you need to change terminals' wiring direction, change new sensor or rearrange angle, please do as follows:

1.1) Steps of changing terminals' wiring direction:



(See figure above.) Unscrew the hexagon bolt→rotate terminals' wiring direction as you need→screw up the hexagon bolt.

1.2) Steps of change new sensor switch:



(See figure above.) unscrew two hexagon bolts ①→dismount sensor seats as a whole→unscrew two hexagon bolts ③→dismount two sensor switch contacts(SO1\SO2)→unscrew hexagon bolt ②→remove the sensor switch→choose new sensor switch →replace new sensor switch contact and screw up hexagon bolt ②→replace new wiring box and screw up hexagon bolt ①→finished.

Recommended lock torque of hexagon bolt is listed in the following table:

Bore size	Recommended lock torque of hexagon bolt ①		Recommended lock torque of hexagon bolt ②		Recommended lock torque of hexagon bolt ③	
	Hexagon bolt type	Lock torque(N.m)	Hexagon bolt type	Lock torque(N.m)	Hexagon bolt type	Lock torque(N.m)
40、50	M4×0.7	2.0~3.0	M5×0.8	4.0~5.0	M3×0.5	1.2~1.5
63、80	M4×0.7	2.0~3.0				

1.3) Steps of readjusting angle: For more details, see latter contents.

1.4) Sensor switch's connection:

Sensor switch's connection need to use relevant male connector, which have separate male connector, and with wire male connector to be choosed.

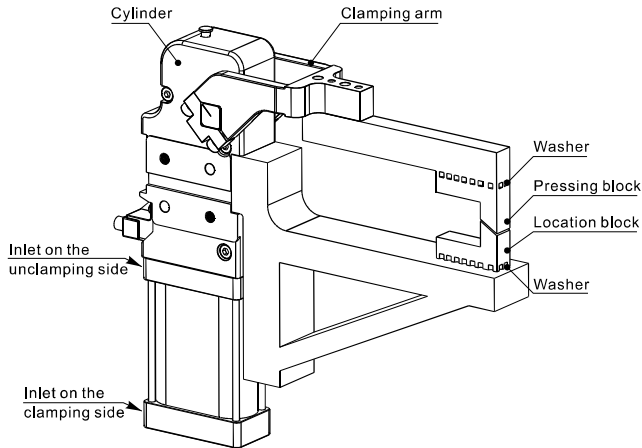
The ordering code as below:

Name: On end cable(3 meters length) Ordering code: X-F-PPVCS	Name: L shape cable(3 meters length) Ordering code: X-F-PPVCL	Name: On end connector(rotundity) Ordering code: X-F-PPVCV	Name: L shape connector (rotundity) Ordering code: X-F-PPVCH
--	---	--	--



Installation and application

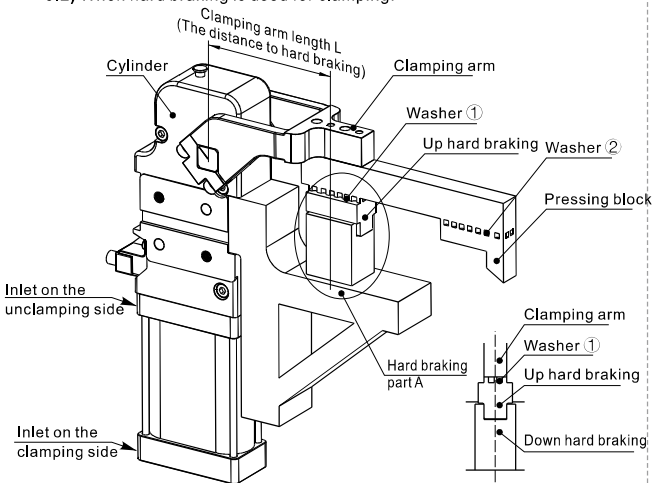
1. Mount the cylinder at desired place with bolts and locating pin after choosing a mounting surface. Connect the cylinder and control valve with joint and rubber hose. To adjust the opening and closure speed, our pneumatic power welding clamp is equipped with return stroke air buffering. Buffering cannot function well if the clamping arm is over-weighted so that clamping arm weight must be within the allowable limit;
2. Using clamping arm beyond the listed in this catalog is forbidden.
3. Workpiece mounting method:
 - 3.1) When only clamping torque is used for clamping:



Please follow the steps to mount the workpiece onto the clamping arm:

- A) Clamping the arm: supply compressed air through the inlet on the clamping side to keep the arm and pressing block at the closure position simultaneously. Make sure the arm is locked up.
- B) Adjusting the clamping gap: adjust the spacer under the mentioned state to make the pressing block in line with the workpiece's thickness. (At this moment no clamping torque is produced theoretically.)
- C) Applying clamping torque: Insert the spacer furthermore under the mentioned state until the gap is smaller than the workpiece's thickness and desired clamping torque is produced. (Make sure the mechanism passes the dead position to produce self-locking i.e. the retaining pin is pushed out.)

- 3.2) When hard braking is used for clamping:

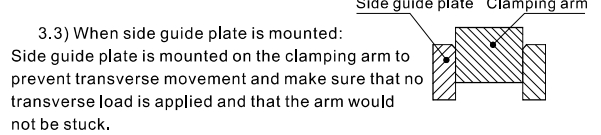


Detail drawing of hard braking part A

Please follow the steps to mount the workpiece onto the clamping arm:

- A) clamping the arm: supply compressed air through the inlet on the closure side to keep the arm and the braking block at the clamping position simultaneously. Make sure the arm is locked up;

- B) Adjusting the clamping gap: Adjust washer ① under the mentioned state until the gap between the upside braking block and downside one. (At this moment no clamping torque is produced theoretically.)
- C) Applying clamping torque: insert the washer ① furthermore under the mentioned state to produce desired clamping torque. (Make sure the mechanism passes the dead position to produce self-locking i.e. the retaining pin is pushed out.)
- D) Adjust washer ② under the state mentioned in C to make the pressing block in contact with the workpiece.



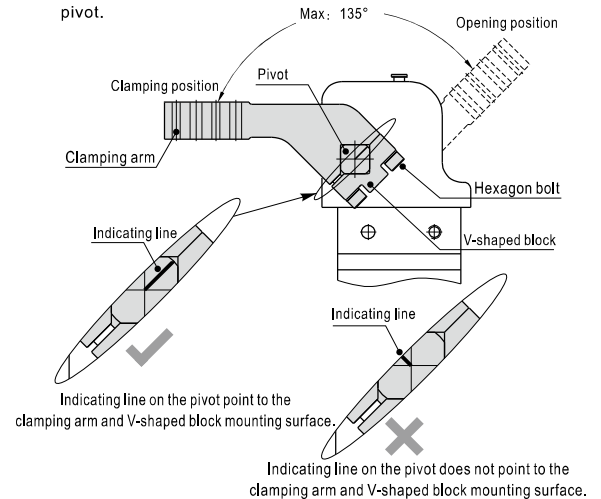
4. Mounting clamping arm:

The clamping arm is already mounted when leaving factory which can be remounted by yourself horizontally or vertically according to your actual need.

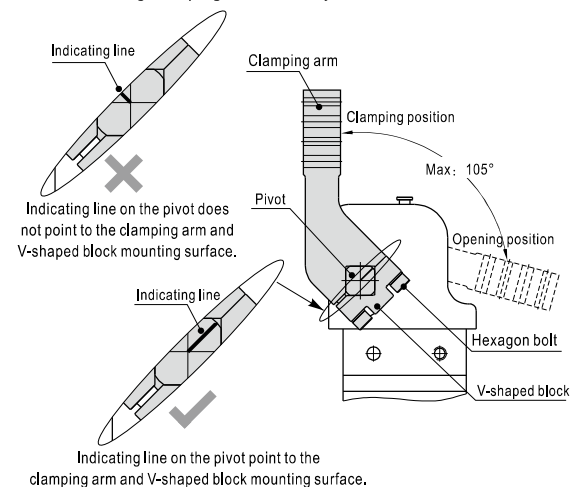
4.1) Mounting clamping arm horizontally:

Unscrew 4 hexagon bolts on both sides of the clamping arm to remove V-shaped block and then the clamping arm for substituting your desired one.

When mounting, please note the direction of the indicating line on the pivot.

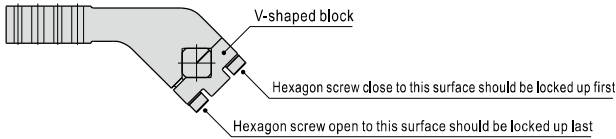


4.2) Mounting clamping arm vertically:



JSKC Series

4.3) V-shaped block mounting:



4.4) Holding torque of clamping arm (recommended):

When holding clamping arm, please choose recommended value in the following list:

Bore size	Bolt type	Holding torque (N.m)
40	M6×1.0	13.8
50	M6×1.0	13.8
63	M8×1.25	33.0
80	M10×1.5	66.0

5. Self-lock function:

At the end of stroke, the crank-slider mechanism passes the dead point and gets self-locked up. The retaining pin gets pushed up at this moment. Even when compressed air is off, the cylinder can remain at closure state for safety. To open self-locking of the crank-slider mechanism, push down the retaining pin when compressed air is off.

Warning:

Pushing down the retaining pin may cause clamping arm to spring off at closure state.

So when using the pin, please get yourself away from the clamping arm's operation range.

