

Preparation unit—GT Series(Short PC bowl type)

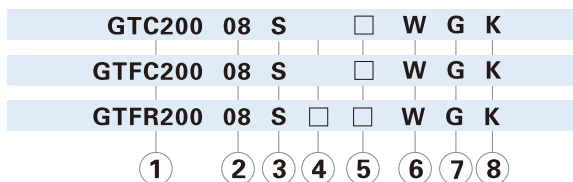
GTC, GTFC, GTFR, GTF, GTL Series



Product feature

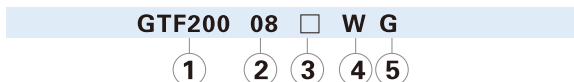
1. GT series is the shorter PC bowl version of GA200 series. Besides from the feature of GA200, GT series also has the below features.
2. drain bowl and oil bowl are shorter than GA200, which is suitable for restricted space installation.
3. No Auto drain available.
Drain type is semi-auto drain+manual drain.

Ordering code

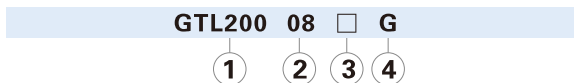


① Model	② Port size	③ Type code	④ Accessories	⑤ Pressure gauge	⑥ Filtering grade	⑦ Thread type	⑧ Code of reflux valve
GTC200: GT200 Series F.R.L unit (Short PC bowl)	06: 1/8" 08: 1/4"	S: Standard L: Lower pressure [Note1]	No this code	Blank: Circular N: No gauge [Note2]	Blank: 40 μm W: 5 μm	G: G Thread (bar/MPa)	Blank: No reverse flow valve is attached K: Reverse flow valve is attached [Note2]
GTFC200: GT200 Series FR.L unit (Short PC bowl)							
GTFR200: GT200 Series Filter & regulator (Short PC bowl)			Blank: Bracket J: No bracket				

[Note1] The work pressure of lower pressure type is 0.15~0.4MPa(20~58psi) ; [Note2] Please refer to page 234 for details of sealing plate Installation and reflux valve.



① Model	② Port size	③ Accessories	④ Filtering grade	⑤ Thread type
GTF200: GT200 Series Filter (Short PC bowl)	06: 1/8" 08: 1/4"	Blank: Bracket J: No bracket	Blank: 40 μm W: 5 μm	G: G Thread



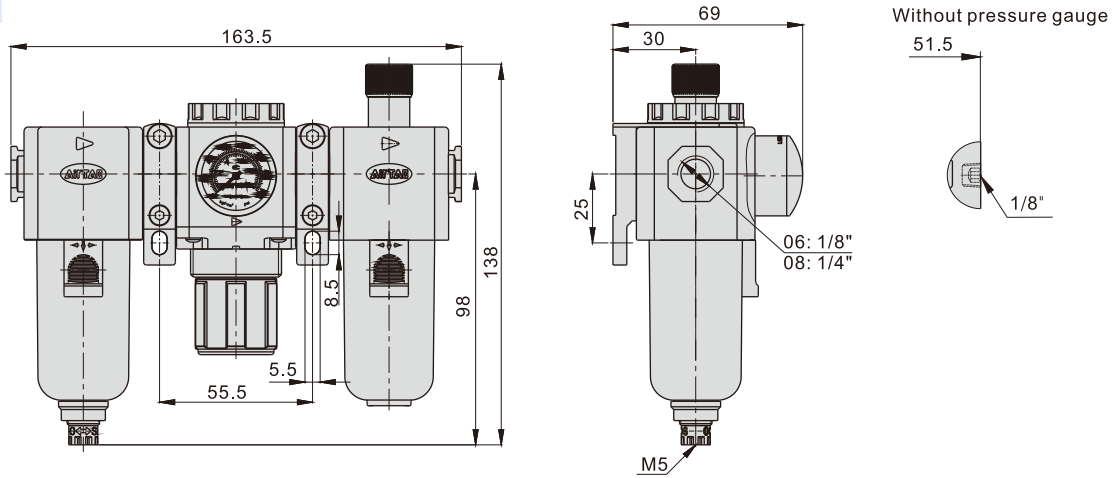
① Model	② Port size	③ Accessories	④ Thread type
GTL200: GT200GA200 Series Lubricator (Short PC bowl)	06: 1/8" 08: 1/4"	Blank: Bracket J: No bracket	G: G Thread

Preparation unit—GT Series(Short PC bowl type)

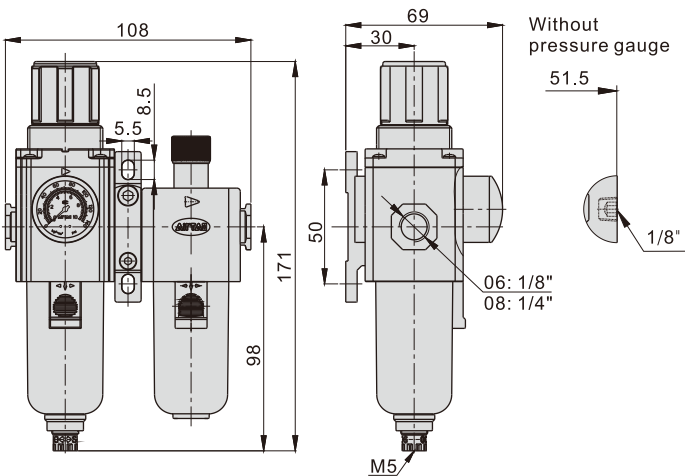
GTC, GTFC, GTFR, GTF, GTL Series

Dimensions

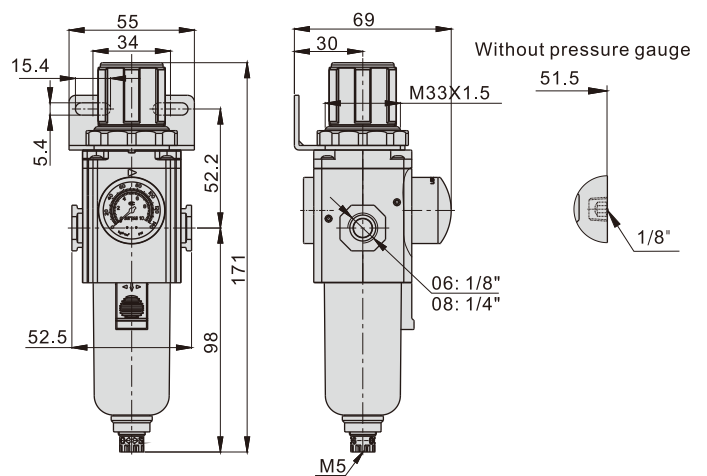
GTC200



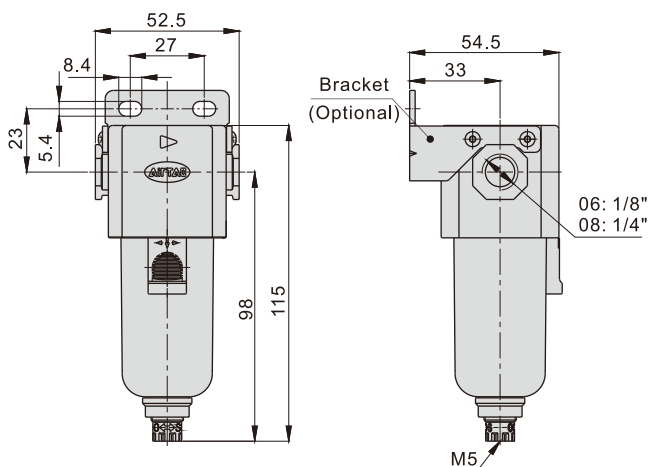
GTFC200



GTFR200



GTF200



GTL200

