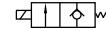


# Fluid control valve(2/2way)



## 2WA Series (Direct-acting and normally closed )



### Ordering code

#### Ordering code of valves

**2WA L 030 08 A □ T**

① ② ③ ④ ⑤ ⑥ ⑦

① Model	② Pressure condition	③ Size series	④ Port size	⑤ Voltage	⑥ Electrical entry	⑦ Thread type
2WA: 2/2 way direct-acting and normally closed	X: Extra high pressure H: High pressure Blank: Standard L: Large volume T: Extra large volume	030: 030 Series	06: 1/8" 08: 1/4"	A: AC220V B: DC24V C: AC110V E: AC24V F: DC12V	Blank: Terminal I: Flying leads[Note]	T: NPT
		050: 050 Series	10: 3/8" 15: 1/2"			

[Note]: The wire length is 0.5m.

#### Ordering code of accessories

**F-2WA030 LB**

① ② ③

① Accessories code	② Valve type	③ Accessories type
F: Mounting accessories	2WA030: 030 Series valve 2WA050: 050 Series valve	LB: LB Type

### Specification

Model\Item	Port size [Note1]	Orifice size (Φmm)	Cv	Valid area or section (mm <sup>2</sup> )	Weight [Note2](g)	Max.operating pressure differentia		Proof pressure	
						MPa	psi	MPa	psi
2WAX030	-06 1/8"	1.5	0.10	1.8	245	3.0	450	5.0	750
	-08 1/4"				235				
2WAH030	-06 1/8"	2.0	0.18	3.0	245	2.0	300		
	-08 1/4"				235				
2WA030	-06 1/8"	3.0	0.33	6.0	245	1.0	150		
	-08 1/4"				235				
2WAL030	-06 1/8"	4.0	0.55	10.0	245	0.5	75		
	-08 1/4"				235				
2WAT030	-06 1/8"	6.0	1.10	12.0	245	0.1	15		
	-08 1/4"				235				
2WAX050	-10 3/8"	3.0	0.34	6.1	530	3.0	450		
	-15 1/2"				510				
2WAH050	-10 3/8"	4.0	0.55	10.0	530	2.0	300		
	-15 1/2"				510				
2WA050	-10 3/8"	5.0	0.83	15.0	530	1.0	150		
	-15 1/2"				510				
2WAL050	-10 3/8"	7.0	1.40	25.0	530	0.5	75		
	-15 1/2"				510				
2WAT050	-10 3/8"	10.0	2.20	40.0	530	0.1	15		
	-15 1/2"				510				

[Note1] NPT thread is available.

[Note2] The weight in the table is the terminal valve's weight, 2WA030 series grommet valve's weight is 10g less than terminal's. 2WA050series grommet valve's weight is 20g less than terminal's.



# Fluid control valve(2/2way)

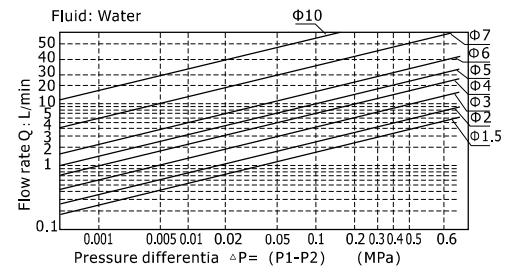
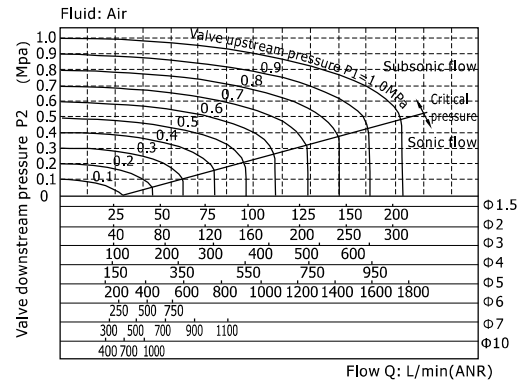


## 2WA Series (Direct-acting and normally closed )

### Product feature

1. Direct acting and normally closed type 2/2 way fluid valve.  
Its high sensibility allows it to change direction quickly;
2. It has wide pressure range, including extra high pressure (X), high pressure (H), standard , large volume(L) and extra large volume (T);
3. It is compact, small size and light weight. Easy to install and dismantle.
4. The valve body is made of brass . Its coil has a Heat resistance classification of Class F. The standard seal material is FPM-F.  
Please contact us if other seal material are required.
5. The protection class of the coil is IP65 and there is a choice for grommet or terminal electrical entry .

### Flow chart



### Valve's specification

Acting	Direct acting				
Initial state	Normally closed				
Adaptable fluid	Air, Water, Oil				
Viscosity limit	Under 20CST				
Ambient and fluid temperature(°C)	Water	Air	Oil	Ambient	
	Max.	80	90	80	70
Min.	1	-20 [Note1]	-10 [Note2]	-20	

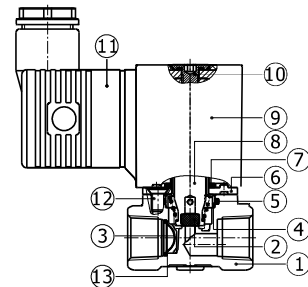
[Note1] Dew point: -20(°C) or less. [Note2] 50CST or less.

### Inner structure

#### 2WA030(Terminal)

No.	Item	No.	Item
1	Body	8	Movable core
2	Airtight ring	9	Coil assembly
3	Spring	10	Bolt
4	Steel bushing	11	Connector
5	O-ring	12	Screw
6	Fixed plate	13	Filter [Note]
7	O-ring		

[Note] Extra large volume type has no filter element.



### Specification of coil

Valve type	Coil type	Power type	Frequency (Hz)	Voltage range	Electrical entry	Power Consumption (VA/W)	Insulation	Temp. rise(°C)
2WA□030	CDA110 CLA110	AC	50	± 15%	Terminal (CDA) Grommet (CLA)	10.0VA	Class F	35
			60			8.0VA		30
		DC	-	6.5W		30		
2WA□050	CDA160 CLA160	AC	50	± 15%		25.0VA		60
			60			22.0VA		55
		DC	-	± 10%		12.0W		40



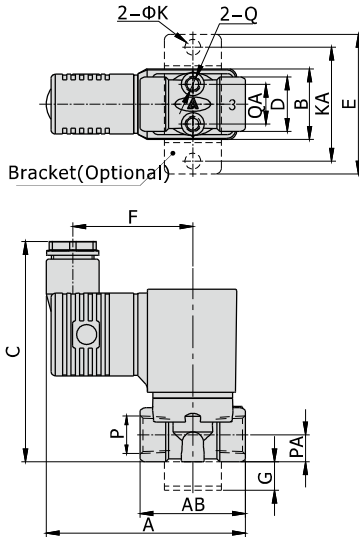
# Fluid control valve(2/2way)



## 2WA Series (Direct-acting and normally closed )

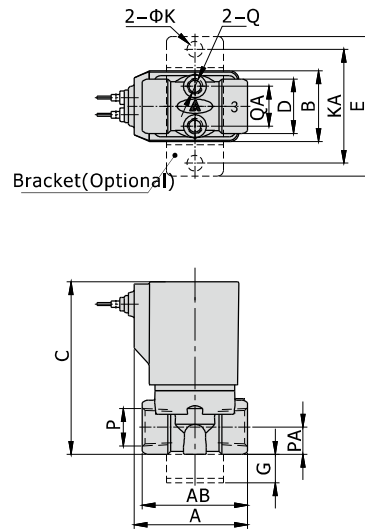
### Dimensions

#### 2WA□030 (Terminal)

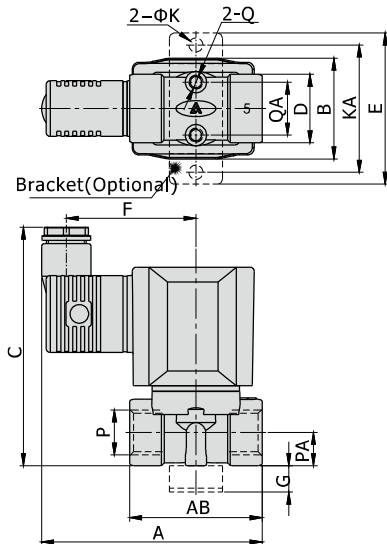


#### 2WA□030(Flying leads)

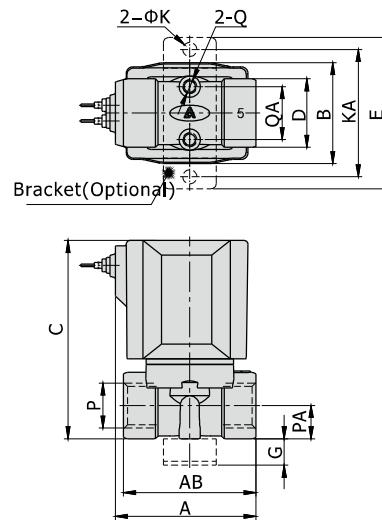
[Unit: mm]



#### 2WA□050 (Terminal)



#### 2WA□050(Flying leads)



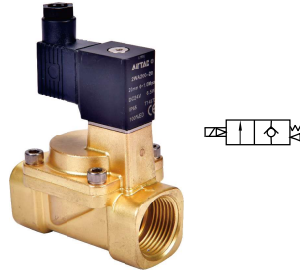
Model\Item	A	AB	B	C	D	E	F	G	K	KA	P	PA	Q	QA	Model\Item	A	AB	B	C	D	E	G	K	KA	P	PA	Q	QA
2WA□030-06	70	37	25	77.5	19	49	42	10.5	5.5	40	1/8"	9.5	M5	13.5	2WA□030-06	40	37	25	61	19	49	10	5.5	40	1/8"	9.5	M5	13.5
2WAT□030-06	71.5	39.5	25	77.5	19	49	42	10.5	5.5	40	1/8"	9.5	M5	13.5	2WAT□030-06	41.5	39.5	25	61	19	49	10	5.5	40	1/8"	9.5	M5	13.5
2WA□030-08	70	37	25	77.5	19	49	42	10.5	5.5	40	1/4"	9.5	M5	13.5	2WA□030-08	40	37	25	61	19	49	10	5.5	40	1/4"	9.5	M5	13.5
2WAT□030-08	71.5	39.5	25	77.5	19	49	42	10.5	5.5	40	1/4"	9.5	M5	13.5	2WAT□030-08	41.5	39.5	25	61	19	49	10	5.5	40	1/4"	9.5	M5	13.5
2WA□050-10	83	50	38	90	26	57	49	10.5	5.5	48	3/8"	12.5	M5	19.5	2WA□050-10	53	50	38	78	26	57	10	5.5	48	3/8"	12.5	M5	19.5
2WAT□050-10	84	51	38	90	26	57	49	10.5	5.5	48	3/8"	12.5	M5	19.5	2WAT□050-10	54	51	38	78	26	57	10	5.5	48	3/8"	12.5	M5	19.5
2WA□050-15	83	50	38	90	26	57	49	10.5	5.5	48	1/2"	12.5	M5	19.5	2WA□050-15	53	50	38	78	26	57	10	5.5	48	1/2"	12.5	M5	19.5
2WAT□050-15	84	51	38	90	26	57	49	10.5	5.5	48	1/2"	12.5	M5	19.5	2WAT□050-15	54	51	38	78	26	57	10	5.5	48	1/2"	12.5	M5	19.5



# Fluid control valve(2/2way)



## 2WA Series (Internally piloted and normally closed)



### Ordering code

#### Ordering code of valves

**2WA 150 15 A □ T**

① ② ③ ④ ⑤ ⑥

① Model	② Orifice size	③ Port size	④ Voltage	⑤ Electrical entry	⑥ Thread type
2WA: 2/2 way internally piloted and normally closed	150: Φ15mm	15: 1/2"	A: AC220V	Blank: Terminal I: Grommet [Note]	T: NPT
	200: Φ20mm	20: 3/4"	B: DC24V		
	250: Φ25mm	25: 1"	C: AC110V E: AC24V F: DC12V		

[Note] The wire length is 0.5m.

#### Ordering code of accessories

**F-2WA150 LB**

① ② ③

① Accessories code	② Valve type	③ Accessories type
F: Mounting accessories	2WA150: 150 Series valve 2WA200: 200 Series valve 2WA250: 250 Series valve	LB: LB Type

### Specification

Model\Item	Port size [Note1]	Orifice size (Φmm)	Cv	Valid area or section (mm <sup>2</sup> )	Weight [Note2](g)	Operating pressure differential		Proof pressure	
						Mpa	psi	Mpa	psi
2WA150-15	1/2"	15.0	5.50	100.0	575	Max: 1.0 Min: 0.05	Max: 150 Min: 10	1.5	220
2WA200-20	3/4"	20.0	9.50	170.0	735				
2WA250-25	1"	25.0	12.5	220.0	1035				

[Note1] NPT thread is available.

[Note2] The weight in the table is the terminal valve's weight, grommet valve's weight is 10g less than terminal's.



# Fluid control valve(2/2way)

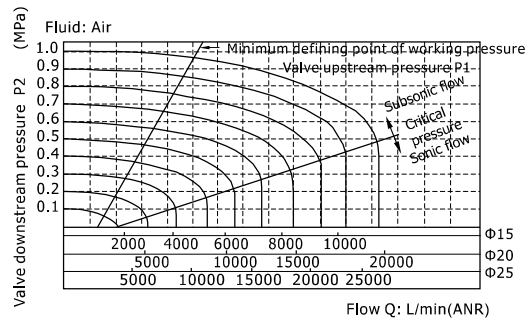


## 2WA Series (Internally piloted and normally closed)

### Product feature

1. Indirect acting (Internal pilot) and normally closed type 2/2 way fluid valve. Its can change direction quickly and has large flow.
2. It is compact, small and light weight. Easy to install and dismantle;
3. The valve body is made of brass . The coil has a Heat resistance classification of Class F. The standard seal material is FPM-F. Please contact us if other seal material are required.
4. The protection class of the coil is IP65 and there is a choice for grommet or terminal electrical entry .

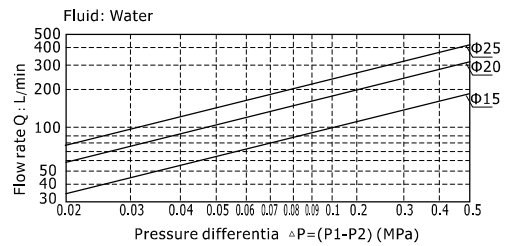
### Flow chart



### Valve's specification

Acting		Direct acting			
Initial state		Normally closed			
Adaptable fluid		Air, Water, Oil			
Viscosity limit		Under 20CST			
Ambient and fluid temperature(°C)		Water	Air	Oil	Ambient
	Max.	80	90	80	70
	Min.	1	-20 [Note1]	-10 [Note2]	-20

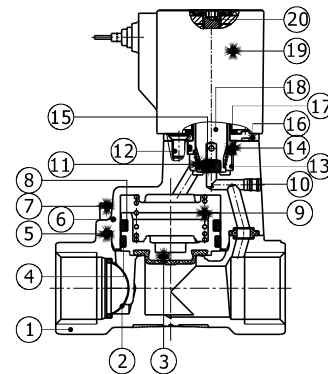
[Note1] Dew point: -20(°C) or less. [Note2] 50CST or less.



### Inner structure

#### 2WA150(Grommet)

No.	Item	No.	Item
1	Body	11	Spring
2	Filter	12	Screw
3	Piston	13	Steel bushing
4	Wear ring	14	O-ring
5	O-ring	15	Airtight ring
6	Cover	16	Fixed plate
7	Screw	17	O-ring
8	Spring	18	Movable core
9	Spring	19	Coil assembly
10	Plug	20	Bolt



### Specification of coil

Valve type	Coil type	Power type	Frequency (Hz)	Voltage range	Electrical entry	Power Consumption (VA/W)	Insulation	Temp. rise(°C)
2WA150 2WA200 2WA250	CDA110 CLA110	AC	50	±15%	Terminal (CDA) Grommet (CLA)	10.0VA	Class F	35
			60			8.0VA		30
		DC	-	±10%		6.5W		30



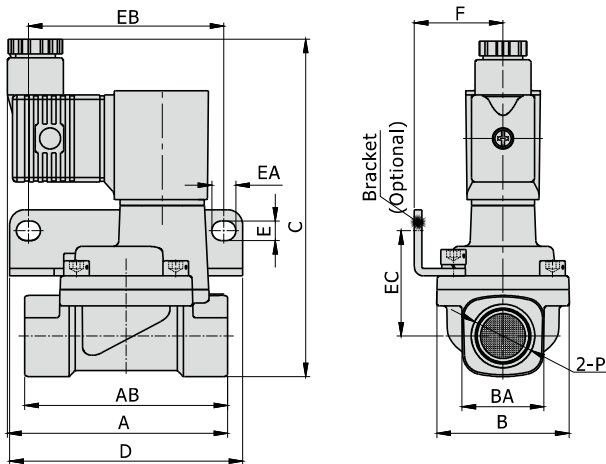
# Fluid control valve(2/2way)



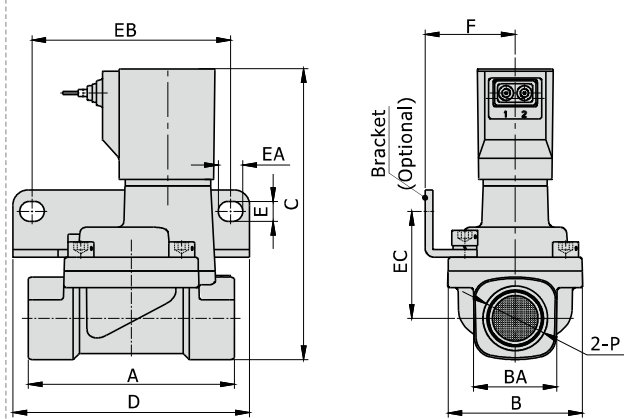
## 2WA Series (Internally piloted and normally closed)

### Dimensions

#### Terminal



#### Grommet



Model\Item	A	AB	B	BA	C	D	E	EA	EB	EC	F	P
2WA150-15	73.5	67.5	44	27.5	112	77.5	6.5	8	65	35	29.5	1/2"
2WA200-20	75.5	79.5	51	33	119	87.5	6.5	8	75	38	33	3/4"
2WA250-25	77.5	90	57	40	126	93	6.5	8	80	42	35	1"

Model\Item	A	B	BA	C	D	E	EA	EB	EC	F	P
2WA150-15	67.5	44	27.5	96	77.5	6.5	8	65	35	29.5	1/2"
2WA200-20	79.5	51	33.5	103	87.5	6.5	8	75	38	33	3/4"
2WA250-25	90	57	40.5	110	93	6.5	8	80	42	35	1"

