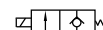


Fluid control valve(2/2way)



2LA Series (Direct-acting and normally closed)



Ordering code

Ordering code of valves

2LA L 030 08 A □ T

① ② ③ ④ ⑤ ⑥ ⑦

① Model	2LA: 2/2 way direct-acting and normally closed	
② Pressure condition	H: High pressure Blank: Standard	
③ Size series	030: 030 Series	050: 050 Series
④ Port size	06: 1/8" 08: 1/4"	10: 3/8" 15: 1/2"
⑤ Voltage	A: AC220V B: DC24V C: AC110V E: AC24V F: DC12V	
⑥ Electrical entry	Blank: Terminal I: Grommet[Note]	
⑦ Thread type	T: NPT	

[Note] The wire length is 0.5m.

Ordering code of accessories

Ordering code of accessories is the same as 2WA series valve's, Please refer to P19 for details of ordering code.

Specification

Model\Item	Port size [Note1]	Orifice size (Φmm)	Cv	Valid area or section (mm ²)	Weight [Note2](g)	Max. operating pressure differentia		Proof pressure	
						MPa	psi	MPa	psi
2LAH030	-06 1/8"	2.0	0.18	3.0	244.5	2.0	300	3.0	450
	-08 1/4"								
2LA030	-06 1/8"	3.0	0.33	6.0	244.5	1.0	150		
	-08 1/4"								
2LAH050	-10 3/8"	4.0	0.55	10.0	529	2.0	300		
	-15 1/2"								
2LA050	-10 3/8"	5.0	0.83	15.0	529	1.0	150		
	-15 1/2"								

[Note1] NPT thread is available.

[Note2] The weight in the table is the terminal valve's weight, 2LA030 series grommet valve's weight is 10g less than terminal's. 2LA050 series grommet valve's weight is 20g less than terminal's.



Fluid control valve(2/2way)

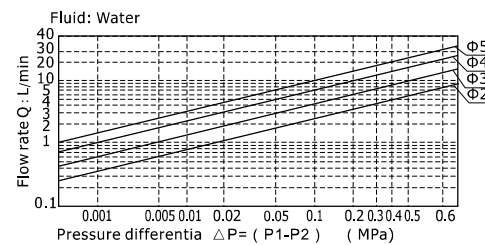
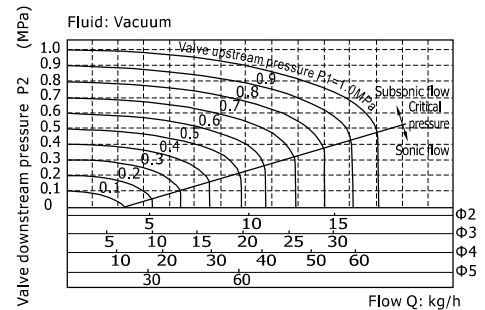


2LA Series (Direct-acting and normally closed)

Product feature

1. Direct acting and normally closed type 2/2 way solenoid valve. Its high sensibility allows it to change direction quickly;
2. It has wide pressure range, including standard high pressure (H) to choose from;
3. It is compact, small size and light weight. It is easy to install and dismantle.
4. The valve body is made of SUS304 . Its coil has a Heat resistance classification of Class H. The standard seal material is PTFE(Teflon) which is suitable for a variety of working medium such as water with high temperature and vapour.
5. The protection class of the coil is IP65 and there is a choice for grommet or terminal electrical entry .

Flow chart



Valve's specification

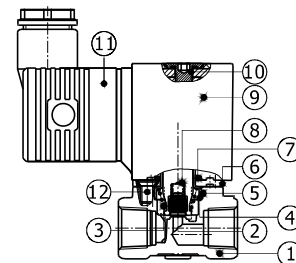
Acting		Direct acting			
Initial state		Normally closed			
Adaptable fluid		Steam, High temperature Water, Oil			
Viscosity limit		Under 20CST			
Ambient and fluid temperature (°C)	Max.	Oil 150	Water 150	Steam 183	Ambient 100
	Min.	-10 [Note1]	1	-	-20

[Note1] 50CST or less.

Inner structure

2LA030 (Terminal)

No.	Item	No.	Item	No.	Item
1	Body	5	O-ring	9	Coil assembly
2	Airtight ring	6	Fixed plate	10	Bolt
3	Spring	7	Gasket washer	11	Connector
4	Steel bushing	8	Movable core	12	Screw



Specification of coil

Valve type	Coil type	Power type	Frequency (Hz)	Voltage range	Electrical entry	Power Consumption (VA/W)	Insulation	Temp. rise(°C)		
2LA□030	CDA110H CLA110H	AC	50	±15%	Terminal (CDA)	10.0VA	Class H	50		
			60			8.0VA		45		
		DC	-	±10%		6.5W		50		
2LA□050	CDA160H CLA160H	AC	50	±15%		Grommet (CLA)		25.0VA	Class H	65
			60					22.0VA		60
		DC	-	±10%				12.0W		50



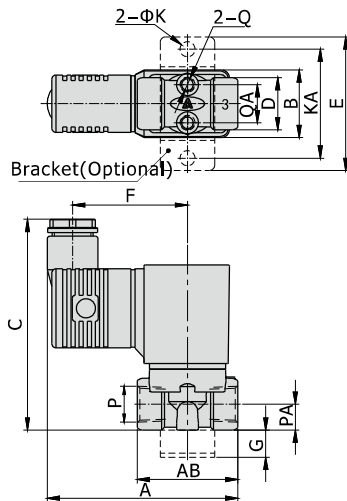
Fluid control valve(2/2way)



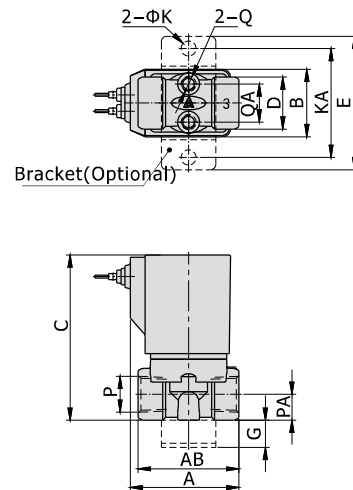
2LA Series (Direct-acting and normally closed)

Dimensions

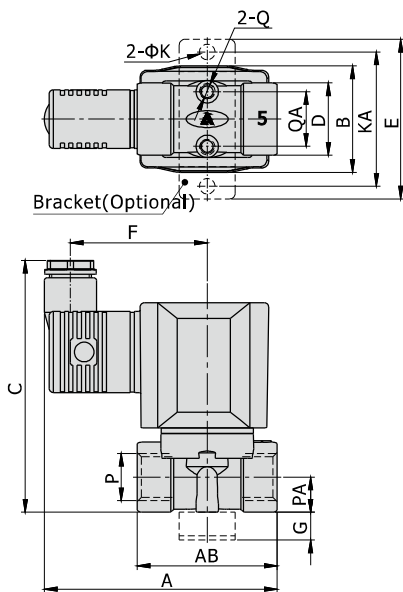
2LA□030(Terminal)



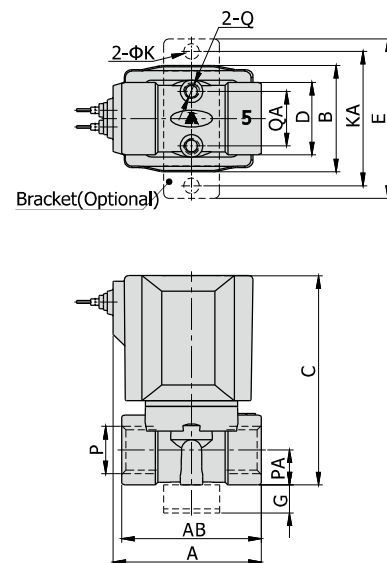
2LA□030(Grommet)



2LA□050(Terminal)



2LA□050(Grommet)



[Unit:mm]

Model\Item	A	AB	B	C	D	E	F	G	K	KA	P	PA	Q	QA
2LA□030-06	70	37	25	77.5	19	49	42	10	5.5	40	1/8"	9.5	M5	13.5
2LA□030-08	70	37	25	77.5	19	49	42	10	5.5	40	1/4"	9.5	M5	13.5
2LA□050-10	83	50	38	90	26	57	49	10	5.5	48	3/8"	12.5	M5	19.5
2LA□050-15	83	50	38	90	26	57	49	10	5.5	48	1/2"	12.5	M5	19.5

[Unit:mm]

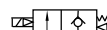
Model\Item	A	AB	B	C	D	E	G	K	KA	P	PA	Q	QA
2LA□030-06	40	37	25	61	19	49	10	5.5	40	1/8"	9.5	M5	13.5
2LA□030-08	40	37	25	61	19	49	10	5.5	40	1/4"	9.5	M5	13.5
2LA□050-10	53	50	38	78	26	57	10	5.5	48	3/8"	12.5	M5	19.5
2LA□050-15	53	50	38	78	26	57	10	5.5	48	1/2"	12.5	M5	19.5



Fluid control valve(2/2way)



2LA Series (Internally piloted and normally closed)



Ordering code

Ordering code of valves

2LA 150 15 A □ T

① ② ③ ④ ⑤ ⑥

① Model	2LA: 2/2 way internally piloted and normally closed					
② Orifice size	150: Φ15mm	200: Φ20mm	250: Φ25mm	320: Φ35mm	400: Φ40mm	500: Φ50mm
③ Port size	15: 1/2"	20: 3/4"	25: 1"	32: 1 1/4"	40: 1 1/2"	50: 2"
④ Voltage	A: AC220V		B: DC24V	C: AC110V	E: AC24V	F: DC12V
⑤ Electrical entry	Blank: Terminal		I: Grommet[Note]			
⑥ Thread type	T: NPT					

[Note] The wire length is 0.5m.

Ordering code of accessories

Ordering code of accessories is the same as 2WA series valve's,
Please refer to P21 for details of ordering code.

Specification

Model\Item	Port size [Note1]	Orifice size (Φmm)	Cv	Valid area or section (mm ²)	Weight [Note2](g)	Operating pressure differentia		Proof pressure	
						MPa	psi	MPa	psi
2LA150-15	1/2"	15.0	5.50	100.0	570	Max:0.7 Min:0.05	Max:100 Min:10	1.5	220
2LA200-20	3/4"	20.0	9.50	170.0	723				
2LA250-25	1"	25.0	12.50	220.0	1027				
2LA320-32	1 1/4"	35.0	23.00	420.0	2262				
2LA400-40	1 1/2"	40.0	31.00	560.0	2642				
2LA500-50	2"	50.0	49.00	880.0	3509				

[Note1] NPT thread is available.

[Note2] The weight in the table is the terminal valve's weight, 2LA150~250series grommet valve's weight is 10g less than terminal's. 2LA320~500series grommet valve's weight is 20g less than terminal's.

Fluid control valve(2/2way)

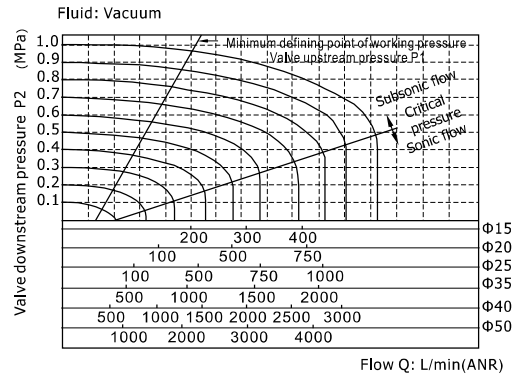


2LA Series (Internally piloted and normally closed)

Product feature

1. Indirect acting (Internal pilot) and normally closed type 2/2 way solenoid valve. Its high sensibility allows it to change direction quickly.
2. It is compact, small size and light weight. It is easy to install and dismantle.
3. The valve body is made of SUS304. Its coil has a Heat resistance classification of Class H. The standard seal material is PTFE (Teflon) which is suitable for a variety of working medium such as water with high temperature and vapour.
4. The protection class of the coil is IP65 and there is a choice for grommet or terminal electrical entry.

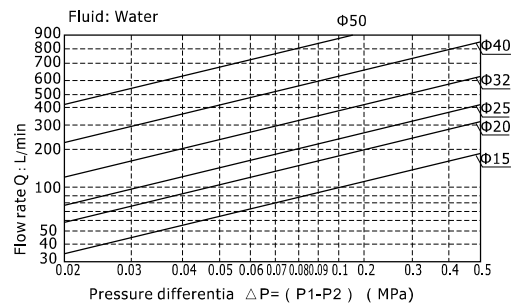
Flow chart



Valve's specification

Acting	Internally piloted				
Initial state	Normally closed				
Adaptable fluid	Steam, High temperature Water, Oil				
Viscosity limit	Under 20CST				
Ambient and fluid temperature (°C)		Oil	Water	Steam	Ambient
	Max.	150	150	183	100
	Min.	-10 [Note1]	1	-	-20

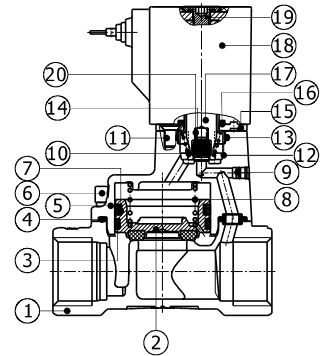
[Note1] 50CST or less.



Inner structure

2LA150(Grommet)

No.	Item	No.	Item
1	Body	11	Screw
2	Piston	12	Steel bushing
3	Wear ring	13	O-ring
4	Gasket	14	Airtight ring
5	Cover	15	Fixed plate
6	Screw	16	Gasket washer
7	Spring	17	Movable core
8	Spring	18	Coil assembly
9	Plug	19	Bolt
10	Spring	20	Spring



Specification of coil

Valve type	Coil type	Power type	Frequency (Hz)	Voltage range	Electrical entry	Power Consumption (VA/W)	Insulation	Temp. rise(°C)		
2LA150	CDA110H CLA110H	AC	50	± 15%	Terminal (CDA)	10.0VA	Class H	50		
2LA200			60			8.0VA		45		
2LA250			-			6.5W		50		
2LA320	CDA160H CLA160H	AC	50	± 15%		Grommet (CLA)		25.0VA	Class H	65
2LA400			60					22.0VA		60
2LA500			DC					-		± 10%



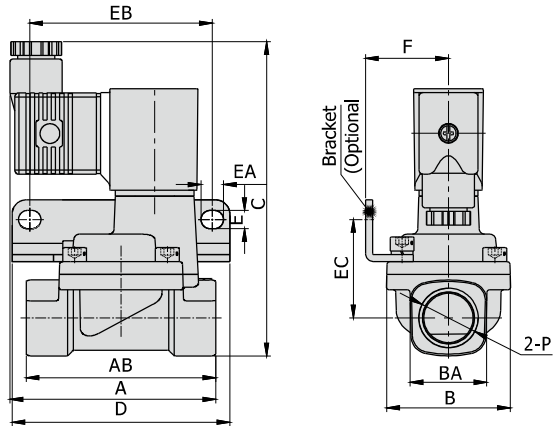
Fluid control valve(2/2way)



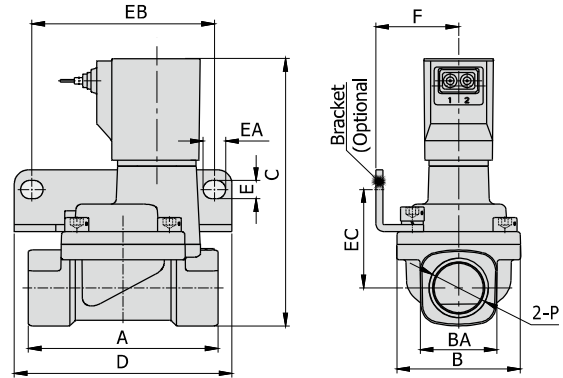
2LA Series (Internally piloted and normally closed)

Dimensions

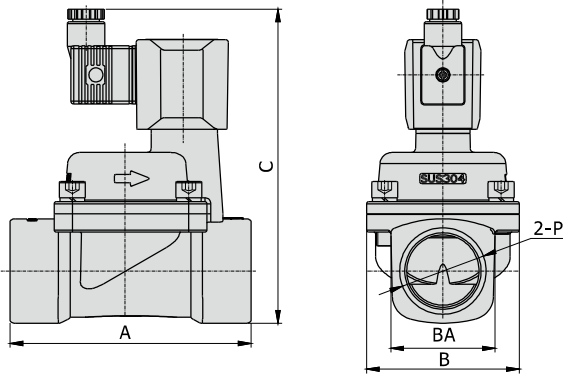
2LA150~250(Terminal)



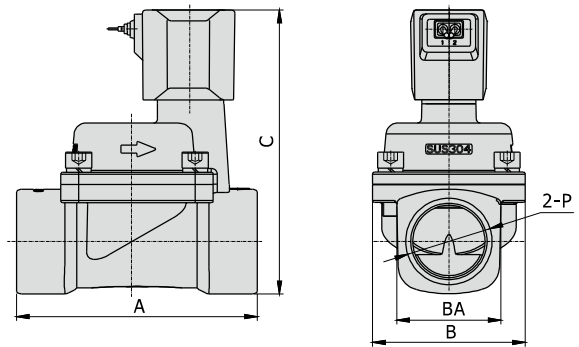
2LA150~250(Grommet)



2LA320~500(Terminal)



2LA320~500(Grommet)



[Unit:mm]

Model\Item	A	AB	B	BA	C	D	E	EA	EB	EC	F	P
2LA150-15	73.5	67.5	44	27.5	112	77.5	6.5	8	65	35	29.5	1/2"
2LA200-20	75.5	79.5	51	33.5	119	87.5	6.5	8	75	38	33	3/4"
2LA250-25	77.5	90	57	40.5	126	93	6.5	8	80	42	35	1"
2LA320-32	120	-	76	52	156	-	-	-	-	-	-	1 1/4"
2LA400-40	126	-	86	58	166	-	-	-	-	-	-	1 1/2"
2LA500-50	144	-	96	70	177	-	-	-	-	-	-	2"

[Unit:mm]

Model\Item	A	B	BA	C	D	E	EA	EB	EC	F	P
2LA150-15	67.5	44	27.5	96	77.5	6.5	8	65	35	29.5	1/2"
2LA200-20	79.5	51	33.5	103	87.5	6.5	8	75	38	33	3/4"
2LA250-25	90	57	40.5	110	93	6.5	8	80	42	35	1"
2LA320-32	120	76	52	143	-	-	-	-	-	-	1 1/4"
2LA400-40	126	86	58	152	-	-	-	-	-	-	1 1/2"
2LA500-50	144	96	70	167	-	-	-	-	-	-	2"

